

E SERIES OVEN
USE AND CARE GUIDE

CLEANING, MAINTENANCE, AND MORE



Contents

- 4 Safety Precautions
- 6 E Series Oven Features
- 7 Oven Operation
- 13 Care Recommendations
- 14 Troubleshooting
- 15 Wolf Warranty

Customer Care

The model and serial number are printed on the enclosed product registration card. Both numbers are also listed on the product rating plate. Refer to page 6 for rating plate location. For warranty purposes, you will also need the date of installation and name of your authorized Wolf dealer. Record this information below for future reference.

SERVICE INFORMATION

Model Number	_____
Serial Number	_____
Date of Installation	_____
Certified Service Name	_____
Certified Service Number	_____
Authorized Dealer	_____
Dealer Number	_____

If your product ever needs attention, be sure to use a Wolf Factory Certified Service provider recommended by our Customer Care Center, or select one from our list of providers available at wolfappliance.com/locator. All Factory Certified Service providers are carefully selected and thoroughly trained by us.

Important Note

To ensure this product is installed and operated as safely and efficiently as possible, take note of the following types of highlighted information throughout this guide:

IMPORTANT NOTE highlights information that is especially important.

CAUTION indicates a situation where minor injury or product damage may occur if instructions are not followed.

WARNING states a hazard that may cause serious injury or death if precautions are not followed.

IMPORTANT NOTE: Throughout this guide, dimensions in parentheses are millimeters unless otherwise specified.

IMPORTANT INSTRUCTIONS

GENERAL SAFETY PRECAUTIONS

- Read this guide carefully before using this appliance to reduce risk of fire, electric shock, or injury.
- This appliance must be properly installed and serviced by a qualified installer or service agency and grounded by a qualified technician.
- Clean only those parts listed in this guide.
- Do not use oven cleaners. No commercial oven cleaner or oven liner protective coating of any kind should be used in or around any part of the oven.
- Do not touch heating elements or interior surfaces of oven. Heating elements may be hot even though they are dark in color. Interior surfaces become hot enough to cause burns. During and after use, do not touch, or let clothing or other flammable materials contact heating elements or interior surfaces of oven until they have had sufficient time to cool.
- Always use dry pot holders when removing pans from this appliance. Wet or damp pot holders can cause steam burns. Do not use a towel or bulky cloth in place of pot holders.
- Exercise caution when opening the oven door. Let hot air or steam escape before looking or reaching into the oven.
- Be sure the oven cool air intake (located above the door) and oven exhaust vent (located below the door) are unobstructed at all times.
- Position oven racks in the desired locations when the oven is cool. If a rack must be repositioned after the oven is already hot, be sure the pot holder does not contact a hot heating element in the oven.

⚠ CAUTION

Before using self-clean, remove broiler pan, oven racks, oven rack guides, and any other utensils.

IMPORTANT INSTRUCTIONS

GENERAL SAFETY PRECAUTIONS

- Do not repair or replace any part of this appliance unless specifically recommended in literature accompanying this appliance.
- Do not use aluminum foil to line any part of this appliance.
- Never use this appliance to warm or heat the room.
- Do not leave children alone or unattended in the area where this appliance is in use. Never allow children to sit or stand on the appliance.
- Do not use water on grease fires. Smother the flame or use a dry chemical or foam-type extinguisher.
- Do not heat unopened food containers, such as baby food jars and cans. Pressure build-up may cause the container to burst and cause injury.
- Do not store or use gasoline or other flammable vapors and liquids in the vicinity of this or any other appliance.
- Do not store items of interest to children above or at the back of this appliance, as they could climb on the appliance to reach items and be injured.
- Do not clean the oven gasket; rubbing or moving the gasket may compromise the door seal.
- Wear proper apparel. Loose-fitting or hanging garments should never be worn while using this appliance.

⚠ WARNING

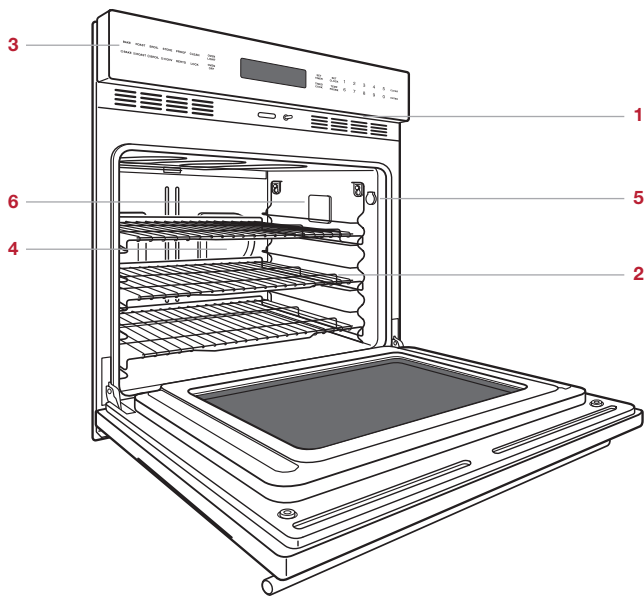
PROPOSITION 65 FOR CALIFORNIA RESIDENTS

**Cancer and Reproductive Harm—
www.P65Warnings.ca.gov**

E Series Oven Features

FEATURES

- | | |
|---|------------------------------|
| 1 | Product Rating Plate |
| 2 | Adjustable Oven Racks |
| 3 | Control Panel and Display |
| 4 | Convection Fans |
| 5 | Temperature Probe Receptacle |
| 6 | Halogen Lighting |



E Series Single Oven

Getting Started

We know you are eager to start cooking, but before you do, please take some time to read this use and care guide. Whether you are an occasional cook or an expert chef, it will be to your benefit to familiarize yourself with the safety practices, features, operation, and care recommendations of your Wolf E Series Oven.

- Clean the oven thoroughly with hot water and mild detergent. Rinse and dry with a soft cloth to remove any residual oil and grease left from the manufacturing process. Refer to Care Recommendations on page 13.
- To ensure the best results, review the cooking modes and special features on page 10.

⚠ CAUTION

Do not place cookware on the oven floor or use aluminum foil or other material to line the oven floor or side walls. Failure to adhere to this notice will damage the porcelain interior and will void your warranty.

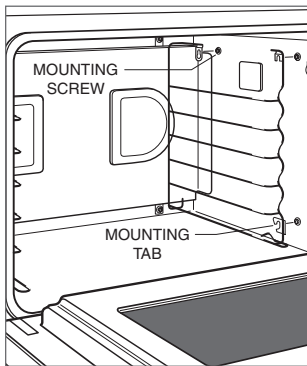
Oven Racks

OVEN RACK GUIDES

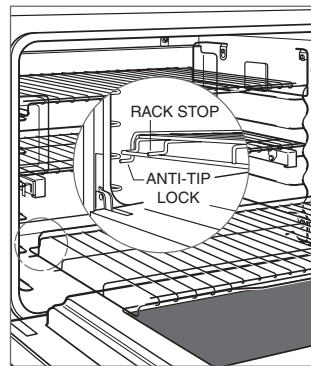
To insert the rack guides in the oven, locate the mounting screws on the oven side walls. Place the rack guide mounting tabs over the screws and slide down until fully seated. Refer to the illustration below.

OVEN RACKS

To insert a standard rack in the oven, place the rack anti-tip lock under the side rack guide rails. Slide the rack back and lift up to clear the rack stops. Continue to slide the rack back until completely inside the oven. Refer to the illustration below.



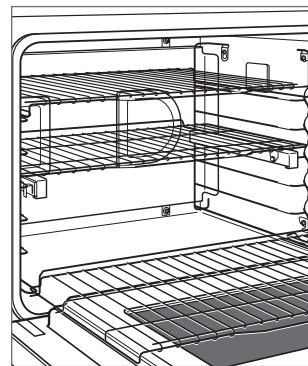
Oven rack guides



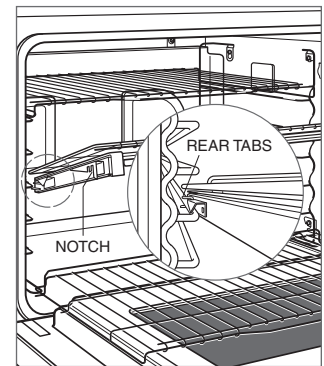
Oven rack anti-tip lock

The bottom oven rack has a full-extension capability which is supported by the oven door. With the rack in the lowest rack guide position, slide it onto the door guides for greater stability and accessibility. Refer to the illustration below.

To insert a full-extension easy glide rack, place the two rear tabs onto the rack guide (one tab above and one below). Refer to the illustration below. Angle the rack slightly and slide back until the front rack notch engages the front rack guide.



Bottom rack



Full-extension rack

OVEN OPERATION

Oven Operation

CONTROL PANEL

The electronic control panel features touch pads for cooking modes and other functions. Refer to the illustration below.

- 1 Touch the desired cooking mode on the control panel. For double ovens, touch UPPER/LOWER to select the oven.
- 2 Touch ENTER to select the preset temperature or use the number pads to change the temperature.
- 3 Touch ENTER.

CONTROL PANEL LOCK


The control lock feature prevents unwanted oven operation. Touch and hold LOCK for 3 seconds to lock and unlock the control panel.

OVEN LIGHT

The oven light turns on automatically when the door is open and off when closed. To turn the light on while the door is closed, touch OVEN LIGHT on the control panel.

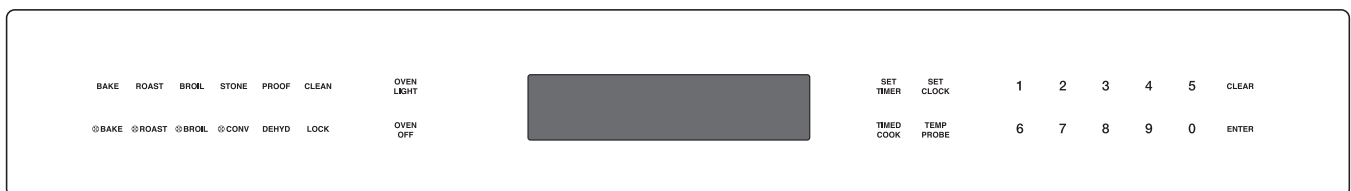
PRIOR TO USE

To ensure all residual oil from the manufacturing process has been removed, each oven must go through the following procedure:

- 1 Clean the oven thoroughly with hot water and mild detergent. Rinse and dry with a soft cloth.
- 2 Turn on ventilation. Some smoke and odor is normal.
- 3 Touch  ROAST (ROAST for the lower oven) and set the temperature to 550°F (290°C) for one hour.
- 4 Touch OFF and allow the oven to cool with the door closed.

PREHEAT

During preheat, the oven is heated as quickly and evenly as possible and is not ideal for cooking. Preheat should be used for all cooking modes except Broil and Convection Broil. Once preheat is complete, a chime indicates the oven has reached set temperature.



Control panel (single oven shown)

Oven Operation

CLOCK

The clock is visible on the control panel during all cooking modes, except when the timer is in use. It is very important the clock is set to the correct time if a timed cook feature is used. The clock must be reset after a power outage.

Setting clock:

- 1 Touch SET CLOCK on the control panel.
- 2 Touch the number pads to set the time of day.
- 3 Touch ENTER, then touch 1 for AM or 2 for PM.
- 4 Touch ENTER.

TIMER

The timer can be set for a maximum of 9 hours, 59 minutes. Once a time is set, the countdown is illuminated on the control panel display. The last minute counts down in seconds. When complete, the oven chimes and the time flashes. The timer continues to chime every 10 seconds until CLEAR is touched. The timer is independent from the oven. Setting the timer does not affect the cook time or stop time. For information regarding auto program features, refer to page 12.

Setting timer:

- 1 Touch SET TIMER on the control panel.
- 2 Touch the number pads to set the time in hours and minutes.
- 3 Touch ENTER.

EXTENDED OPTIONS

The extended options feature allows the user to select preferences for language, temperature unit, temperature offset, 12/24 hour clock, backlight brightness, contrast adjustment, and beeper (chime) tone.

Setting extended options:

- 1 To enter the extended options mode, touch and hold SET CLOCK for 5 seconds.
- 2 Touch ENTER to scroll through options, then follow instructions on the control panel display.
- 3 To exit, touch CLEAR.

Cooking Modes

MODE	TOUCH PAD	PRESET	RANGE	PROBE	USES
Convection	⊗ CONV	325°F (165°C)	170–550°F (75–290°C)	•	Uniform air movement makes it possible to multi-level rack cook with even browning.
Convection Bake	⊗ BAKE	375°F (190°C)	170–550°F (75–290°C)	•	Ideal for pie baking.
Convection Roast	⊗ ROAST	325°F (165°C)	170–550°F (75–290°C)	•	Perfect for roasting tender cuts of beef, lamb, pork, and poultry.
Convection Broil	⊗ BROIL	1 2 3	550°F (290°C) 450°F (230°C) 350°F (175°C)		Shortens broiling times for thicker cuts of meat, fish and poultry. Use a two-piece broiler pan and always broil with the oven door closed.
Bake	BAKE	350°F (175°C)	170–550°F (75–290°C)	•	Best for single-rack cooking, primarily baked foods. Use for standard recipes.
Roast	ROAST	350°F (175°C)	170–550°F (75–290°C)	•	Best for roasting less tender cuts of meat, such as chuck roasts and stew meat that should be covered.
Broil	BROIL	1 2 3	550°F (290°C) 450°F (230°C) 350°F (175°C)		Best for broiling meats, fish, and poultry pieces up to 1" thick. Use a two-piece broiler pan and always broil with the oven door closed.
Bake Stone	STONE	400°F (205°C)	170–550°F (75–290°C)	•	Baking on a ceramic stone. Great for pizza and bread. Bake stone accessory required. Additional instructions included with accessory.
Proof	PROOF	85°F (30°C)	85–110°F (30–45°C)	•	Ideal for proofing, or rising bread dough.
Dehydration	DEHYD	135°F (60°C)	110–160°F (45–70°C)		Dry a variety of fruits, vegetables, and meats. Accessory racks and door stop required. Additional instructions included with accessory.
Self-Clean	CLEAN				The oven heats to an extremely high temperature to allow food soil to burn off. Refer to page 12.

Proof

Setting controls:

- 1 Touch PROOF.
- 2 The oven temperature is preset to 85°F (30°C). Touch ENTER to select the preset temperature or use the number pads to change the temperature up to 110°F (45°C).
- 3 Touch ENTER.

Dehydration

Accessory kit required. Accessories are available through an authorized Wolf dealer. For local dealer information, visit the find a showroom section of our website, wolfappliance.com.

Setting controls:

- 1 Touch DEHYD.
- 2 Oven temperature is preset to 135°F (60°C). Touch ENTER to select the preset temperature or use the number pads to change the temperature between 110°F (45°C) and 160°F (70°C).
- 3 Touch ENTER.

Temperature Probe

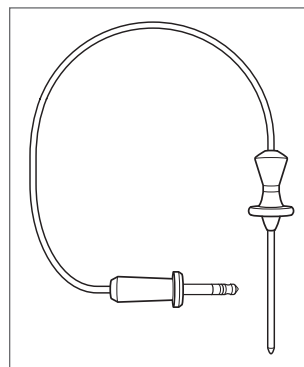
Use only the temperature probe shipped with this appliance. Refer to the illustration below. The temperature probe measures the internal temperature of food while cooking. It can be used with all cooking modes except Broil and Convection Broil.

Setting controls:

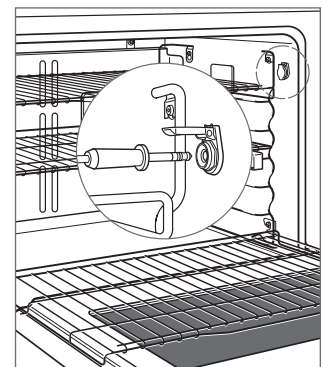
- 1 Touch the desired cooking mode.
- 2 Touch ENTER to select the preset temperature or use the number pads to change the temperature, then touch ENTER.
- 3 Insert the probe into the thickest area of food. When making bread, cook for approximately 10 minutes before inserting the probe.
- 4 When preheat is complete, use a pot holder to lift the probe receptacle cover, then insert the connector. Refer to the illustration below.
- 5 Touch TEMP PROBE. Use the number pads to select the temperature, then touch ENTER. The probe temperature appears on the display until the setpoint is reached.
- 6 A chime indicates the internal temperature has reached the probe setpoint. Remove, then reinsert the probe to verify the internal temperature.

⚠ CAUTION

The probe and probe receptacle will be very hot. Handle with care.



Temperature probe



Probe receptacle

Auto Program

TIMED COOK

Timed cook automatically turns the oven off at a specified time. The oven begins to heat immediately and turns off at the desired stop time. The clock must be set to the correct time for timed cook to function properly. Use in any cooking mode except Broil, Convection Broil, and Bake Stone.

Setting controls:

- 1 Touch the desired cooking mode.
- 2 Touch ENTER to select the preset temperature or use the number pads to change the temperature.
- 3 Touch TIMED COOK. Use the number pads to set the cook time in hours and minutes.
- 4 Touch ENTER.

DELAYED START

Delayed start automatically turns the oven on and off at specified times. The oven remains idle until the desired start time and turns off at the desired stop time. The clock must be set to the correct time for delayed start to function properly. Use in any cooking mode except Broil, Convection Broil, and Bake Stone.

Setting controls:

- 1 Touch the desired cooking mode.
- 2 Touch ENTER to select the preset temperature or use the number pads to change the temperature. If ENTER is touched, the oven begins to heat immediately, but enters idle mode once the stop time is set.
- 3 Touch TIMED COOK. Use the number pads to set the cook time in hours and minutes.
- 4 Use the number pads to set the stop time in hours and minutes.
- 5 Touch ENTER.

Self-Clean

During self-clean, the oven is heated to an extremely high temperature to burn off food soil. Remove all oven racks and rack guides. They will discolor if left in during self-clean. The oven door locks and remains locked until self-clean is complete and the oven temperature has cooled below 300°F (150°C). Self-clean times include one hour for cool down.

Setting controls for 3-hour self-clean:

- 1 Touch CLEAN.
- 2 Touch ENTER.

Setting controls for 4-hour self-clean:

- 1 Touch CLEAN.
- 2 Touch TIMED COOK.
- 3 Use the number pads to increase the stop time by 1 hour.
- 4 Touch ENTER twice.

Porcelain is made from natural products and, therefore, can chip or develop fine lines and cracks due to the expansion and contraction that occurs as oven temperature fluctuates (particularly when the self-cleaning function is employed). This can result in cosmetic imperfections, such as a cloudy, dull or scratched appearance. Cosmetic imperfections may be more visible in a colored oven cavity.

⚠ CAUTION

During self-clean, exterior surfaces may get hotter than usual. Children should be kept away.

Sabbath

This appliance is certified by Star-K to meet strict religious regulations in conjunction with specific instructions found on www.star-k.org.

Sabbath overrides the automatic 12-hour shut off feature. Sabbath must be reset after a power outage.

Setting controls:

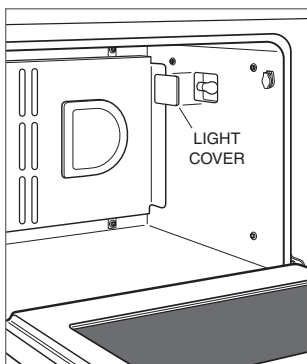
- 1 Touch OVEN LIGHT, to turn the oven light on or off.
- 2 Touch BAKE or ROAST. The oven is preset to 350°F (175°C).
- 3 Touch ENTER to select the preset temperature or use the number pads to change the temperature, then touch ENTER.
- 4 Touch and hold ENTER for 5 seconds. "SABBATH" appears on the control panel display indicating Sabbath mode has been initiated.
- 5 To cancel, touch OVEN OFF.

Oven Light

⚠ WARNING

Verify power is disconnected from the electrical box before replacing a light bulb.

Allow the oven to cool completely, then remove oven racks and rack guides. To remove the light cover, gently pry the bottom edge with a flat screwdriver. Remove the existing bulb and replace with a 20-watt halogen bulb. Refer to the illustration below.



Light bulb replacement

Care Recommendations

CLEANING

Stainless steel Use a nonabrasive stainless steel cleaner and apply with a soft lint-free cloth. To bring out the natural luster, lightly wipe the surface with a water-dampened microfiber cloth followed by a dry polishing chamois. Always follow the grain of stainless steel.

Black glass Spray glass cleaner on a cloth to clean.

Oven rack guides Remove and place on a flat surface near the sink. Clean with hot water and mild detergent or paste of baking soda and water. Do not immerse in water. Towel dry.

Control panel Use a spray degreaser to remove fingerprints and food soil. Spray on a cloth before wiping the panel.

IMPORTANT NOTE: Do not spray cleaners directly on the control panel.

Oven interior **IMPORTANT NOTE:** Remove all food spills (especially sugary, acidic, and tomato-based sauces) when the oven interior is safe to touch. Some blemishes are permanent, but do not affect the function of the porcelain.

Before using the self-clean feature, use a razor blade to gently lift baked on foods from the oven cavity and window. For stubborn stains, spray with a mild abrasive cleaner or spray degreaser and scrub with a no-scratch Scotch-Brite™ pad. Wash the entire oven cavity with soap and water to remove all cleaning chemicals before entering self-clean mode. If the residue is not cleaned from the cavity, etching of the porcelain may occur. Once the self-clean cycle is complete, allow the oven to cool completely and wipe out the ash with a damp cloth.

Broiler pan To clean the upper rack, use mild detergent and a scouring pad. Rinse and dry. To clean the bottom pan, discard the grease and wash with hot water and mild detergent. Rinse and dry. The stainless steel upper rack is dishwasher safe, however, do not place the porcelain-coated rack or pan in the dishwasher.

Troubleshooting

OPERATION

Oven does not operate.

- Verify power is on.
- Verify electrical power to the oven and home circuit breaker is on.
- The oven automatically turns off after 12 hours of continual use, except in Dehydration or Sabbath mode.

Oven temperature issue.

- Contact Wolf Customer Care at 800-222-7820 for recommendations.

No response from the control panel touch pads.

- Touch OVEN OFF to exit Sabbath mode.
- Turn the circuit breaker off for 5 seconds, then turn back on.

“SABBATH” is displayed on the control panel.

- Touch OVEN OFF to exit Sabbath mode.

“PROBE SHORTED” is displayed on the control panel.

- Touch OVEN OFF. Verify the probe connector is fully seated into the receptacle. Reset the oven temperature and probe temperature.

Oven “pops” or “bangs” during preheat or cool down.

- Normal with new oven cavity expansion and contraction.
- Run a self-clean cycle. If it persists, contact Wolf Customer Care at 800-222-7820.

SERVICE

- Maintain the quality built into your product by contacting Wolf Factory Certified Service. For the name of the nearest Wolf Factory Certified Service, check the Support & Service section of our website, wolfappliance.com, or call Wolf Customer Care at 800-222-7820.
- When contacting service, you will need the model and serial number of your product. Both numbers are listed on the product rating plate. Refer to page 6 for rating plate location.
- For warranty purposes, you will also need the date of installation and name of your authorized Wolf dealer. This information should be recorded on page 3 of this guide.

Wolf Appliance Residential Limited Warranty

FOR RESIDENTIAL USE

FULL TWO YEAR WARRANTY*

For two years from the date of original installation, this Wolf Appliance product warranty covers all parts and labor to repair or replace, under normal residential use, any part of the product that proves to be defective in materials or workmanship. All service provided by Wolf Appliance under the above warranty must be performed by Wolf Factory Certified Service, unless otherwise specified by Wolf Appliance, Inc. Service will be provided during normal business hours.

LIMITED FIVE YEAR WARRANTY

For five years from the date of original installation, Wolf Appliance will repair or replace the following parts that prove to be defective in materials or workmanship: gas burners (excludes appearance), electric heating elements, blower motors (ventilation hoods), electronic control boards, magnetron tubes and induction generators. If the owner uses Wolf Factory Certified Service, the service provider will repair or replace these parts with the owner paying for all other costs, including labor. If the owner uses non-certified service, the owner must contact Wolf Appliance, Inc. (using the information below) to receive repaired or replacement parts. Wolf Appliance will not reimburse the owner for parts purchased from non-certified service or other sources.

TERMS APPLICABLE TO EACH WARRANTY

The warranty applies only to products installed for normal residential use. The warranty applies only to products installed in any one of the fifty states of the United States, the District of Columbia or the ten provinces of Canada. This warranty does not cover any parts or labor to correct any defect caused by negligence, accident or improper use, maintenance, installation, service or repair.

THE REMEDIES DESCRIBED ABOVE FOR EACH WARRANTY ARE THE ONLY ONES THAT WOLF APPLIANCE, INC. WILL PROVIDE, EITHER UNDER THIS WARRANTY OR UNDER ANY WARRANTY ARISING BY OPERATION OF LAW. WOLF APPLIANCE, INC. WILL NOT BE RESPONSIBLE FOR ANY CONSEQUENTIAL OR INCIDENTAL DAMAGES ARISING FROM THE BREACH OF THIS WARRANTY OR ANY OTHER WARRANTY, WHETHER EXPRESS, IMPLIED OR STATUTORY.

Some states do not allow the exclusion or limitation of incidental or consequential damages, so the above limitation or exclusion may not apply to you. This warranty gives you specific legal rights and you may also have other legal rights that vary from state to state.

To receive parts and/or service and the name of Wolf Factory Certified Service nearest you, contact Wolf Appliance, Inc., P.O. Box 44848, Madison, WI 53744; check the Support & Service section of our website, wolfappliance.com, email us at customerservice@subzero.com or call 800-222-7820.

*Stainless steel (doors, panels, handles, product frames and interior surfaces) are covered by a limited 60-day parts and labor warranty for cosmetic defects.

*Replacement filters for ventilation hood recirculating kits are not covered by the product warranty.



Contenido

- 4 Precauciones de seguridad
- 6 Características de los horno de la serie E
- 7 Funcionamiento del horno
- 13 Recomendaciones sobre el cuidado
- 14 Resolución de problemas
- 15 Garantía de Wolf

Atención al cliente

El modelo y número de serie están impresos en la tarjeta de registro del producto adjunta. Los dos números también aparecen en la placa de datos del producto. Consulte la página 6 para encontrar la placa de datos. Para fines de la garantía, usted también necesitará la fecha de instalación y el nombre de su distribuidor autorizado de Wolf. Anote esta información abajo para referencia futura.

INFORMACIÓN PARA SERVICIO

Número de modelo

Número de serie

Fecha de instalación

Nombre de servicio certificado

Número de servicio certificado

Distribuidor autorizado

Número de distribuidor

Si su producto alguna vez necesita servicio asegúrese de usar un proveedor de servicios certificado por Wolf y recomendado por nuestro centro de atención al cliente, o seleccione uno de nuestra lista de proveedores en wolfappliance.com/locator. Todos los proveedores de los centros de servicio autorizados han sido cuidadosamente seleccionados y entrenados a fondo por nosotros.

Aviso importante

Para garantizar que este producto se instale y opere de la forma más segura y eficiente posible, tome nota de los siguientes tipos de información resaltada en esta guía:

AVISO IMPORTANTE señala la información que es especialmente importante.

PRECAUCIÓN indica una situación en la que se pueden sufrir heridas leves o provocar daños al producto si no se siguen las instrucciones.

ADVERTENCIA indica peligro de que se produzcan heridas graves o incluso la muerte si no se siguen las precauciones.

AVISO IMPORTANTE: en toda esta guía, las dimensiones entre paréntesis son milímetros, a menos que se especifique lo contrario.

INSTRUCCIONES IMPORTANTES

PRECAUCIONES GENERALES DE SEGURIDAD

- Lea este manual con atención antes de utilizar este electrodoméstico para reducir el riesgo de incendio, descarga eléctrica o lesiones.
- Un técnico calificado o una agencia de servicio deben instalar o reparar este electrodoméstico y un técnico calificado lo debe conectar a tierra.
- Limpie solamente las partes enumeradas en este manual.
- No utilice limpiadores para hornos. No debe utilizar limpiadores comerciales para hornos ni capas protectoras de ninguna clase en o alrededor de cualquier parte del horno.
- No toque los elementos calefactores ni las superficies internas del horno. Los elementos calefactores pueden permanecer calientes incluso cuando tienen un color oscuro. Las superficies internas alcanzan altas temperaturas y pueden causar quemaduras. Durante y después del uso, no toque, ni deje que su ropa u otros materiales ignífugos entren en contacto con los elementos calefactores o superficies internas del horno hasta que hayan tenido suficiente tiempo para enfriarse.
- Utilice siempre guantes de cocina secos al retirar las cacerolas de este electrodoméstico. Los guantes de cocina húmedos o mojados pueden provocar quemaduras por vapor. No utilice una toalla ni un paño voluminoso en lugar de los guantes de cocina.
- Tenga cuidado al abrir la puerta del horno. Deje salir el aire caliente o el vapor antes de mirar o meter las manos dentro del horno.
- Asegúrese de que la entrada de aire fresco del horno (que se encuentra arriba de la puerta) y la rejilla de ventilación del horno (que se encuentra abajo de la puerta) estén libres de obstáculos en todo momento.
- Coloque las rejillas del horno a la altura deseada cuando el horno esté frío. Si debe cambiar una rejilla de posición cuando el horno esté caliente, asegúrese de que el guante de cocina no entre en contacto con un elemento calefactor caliente al interior del horno.

▲ PRECAUCIÓN

Antes de utilizar la autolimpieza, retire la parrilla, las rejillas del horno, las guías de las rejillas y cualquier otro utensilio.

INSTRUCCIONES IMPORTANTES

PRECAUCIONES GENERALES DE SEGURIDAD

- No intente reparar ni cambiar ninguna parte de este electrodoméstico a menos que esté específicamente recomendado en la documentación que lo acompaña.
- Nunca utilice este electrodoméstico para entibiar o calentar la habitación.
- No deje a los niños solos ni desatendidos en el área donde se utilice este electrodoméstico. Nunca permita que los niños se sienten o paren sobre el electrodoméstico.
- No utilice agua en incendios causados por grasas. Sofoque el fuego o utilice extinguidor químico seco o de espuma.
- No caliente recipientes de comida cerrados, como frascos de alimentos para bebés o enlatados. La acumulación de presión puede hacer que el recipiente explote y cause lesiones.
- No almacene ni utilice gasolina u otros vapores o líquidos ignífugos en las proximidades de este o cualquier otro electrodoméstico.
- No almacene artículos que puedan llamar la atención de niños menores arriba o detrás de este electrodoméstico, ya que podrían subirse al electrodoméstico para alcanzar los objetos y sufrir lesiones.
- No limpie el empaque del horno, ya que frotar o mover el empaque puede comprometer el sello de la puerta.
- Utilice ropa adecuada. Nunca debe utilizar ropa holgada ni con aplicaciones sueltas al utilizar este electrodoméstico.

⚠ ADVERTENCIA

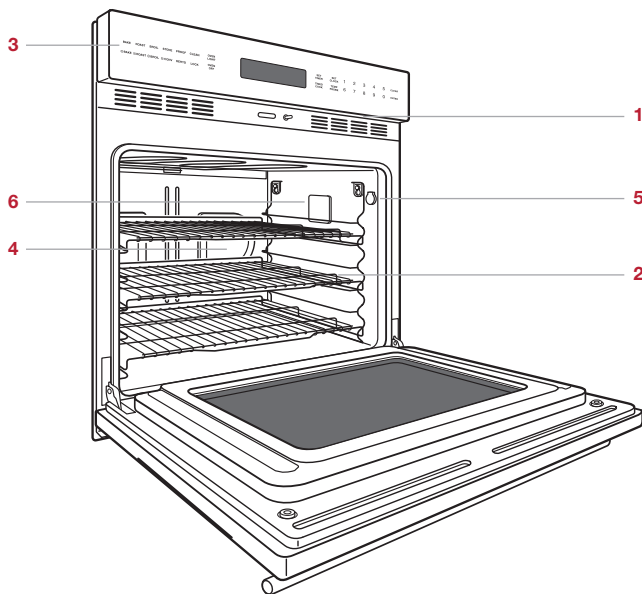
PROPUESTA 65 PARA RESIDENTES DE CALIFORNIA

**Cáncer y Daño Reproductivo—
www.P65Warnings.ca.gov**

Características de los hornos de la serie E

CARACTERÍSTICAS

1	Placa de datos del producto
2	Rejillas ajustables del horno
3	Panel de control y pantalla electrónica
4	Ventiladores de convección
5	Recipiente de la sonda de temperatura
6	Luz de halógeno



Horno sencillo de la serie E

Primeros pasos

Sabemos que está ansioso por empezar a cocinar, pero antes de hacerlo, dedique un poco de tiempo a leer este manual de uso y cuidado. Si usted es un cocinero ocasional o un chef experto, se beneficiará de conocer las prácticas de seguridad, características, funcionamiento y recomendaciones sobre el cuidado de su horno de la serie E.

- Limpie cuidadosamente el horno con agua caliente y detergente suave. Enjuague y seque con un paño suave para eliminar los residuos de aceite y grasa residual que dejó el proceso de fabricación. Consulte las recomendaciones sobre el cuidado en la página 13.
- Para obtener los mejores resultados revise los modos de cocción y características especiales en la página 10.

⚠PRECAUCIÓN

No coloque utensilios de cocina sobre el piso del horno ni utilice papel de aluminio u otro material para recubrir el piso o las paredes laterales del horno. Si hace caso omiso de este aviso se dañará el interior de porcelana y se anulará la garantía.

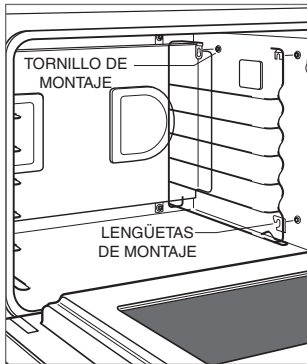
Rejillas del horno

GUÍAS DE LAS REJILLAS DEL HORNO

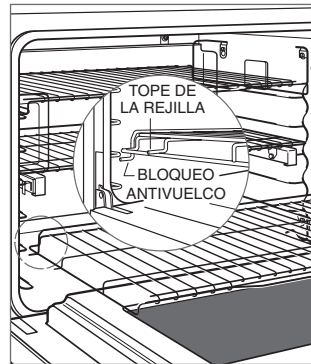
Para insertar las guías de las rejillas del horno busque los tornillos de montaje en las paredes laterales del horno. Coloque las lengüetas de montaje de la guía de la rejilla sobre los tornillos y deslice hasta que quede bien asentada. Consulte la siguiente ilustración.

REJILLAS DEL HORNO

Para insertar una rejilla estándar en el horno, coloque el bloqueo antivuelco de la rejilla debajo de los rieles laterales de la guía de la rejilla. Deslice la rejilla hacia atrás y levante para dejar libres los topes de la rejilla. Siga deslizando la rejilla hacia atrás hasta que esté completamente en el interior del horno. Consulte la siguiente ilustración.



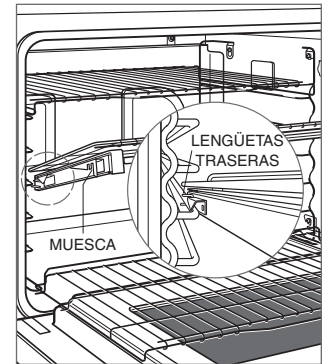
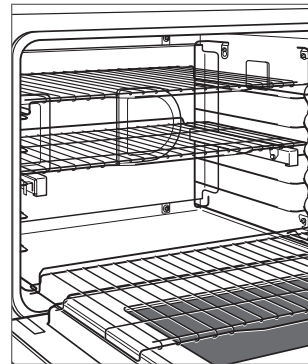
Guías de las rejillas del horno



Bloqueo antivuelco para las rejillas del horno

La rejilla inferior del horno tiene una capacidad de extensión completa que se apoya en la puerta del horno. Con la rejilla en la posición más baja de la guía de la rejilla, deslícela sobre las guías de la puerta para lograr mayor estabilidad y accesibilidad. Consulte la siguiente ilustración.

Para insertar una rejilla de extensión completa y de fácil deslizamiento, coloque las dos lengüetas posteriores sobre la guía de la rejilla (una lengüeta arriba y una abajo). Consulte la siguiente ilustración. Inclíne ligeramente la rejilla y deslícela hasta que la muesca frontal de la rejilla se acople con la guía frontal de la rejilla.



Funcionamiento del horno

PANEL DE CONTROL

El panel de control electrónico cuenta con paneles táctiles para los modos de cocción y otras funciones. Consulte la siguiente ilustración.

- 1 Presione el modo de cocción deseado en el panel de control. Para los hornos dobles, presione UPPER/LOWER (SUPERIOR/INFERIOR) para seleccionar el horno.
- 2 Presione ENTER (INTRO) para seleccionar la temperatura predeterminada o utilice las teclas de número para cambiar la temperatura.
- 3 Presione ENTER (INTRO).

BLOQUEO DEL PANEL DE CONTROL


La función de bloqueo de control impide el funcionamiento no deseado del horno. Presione y mantenga presionado LOCK (BLOQUEO) durante 3 segundos para bloquear y desbloquear el panel de control.

LUZ DEL HORNO

La luz del horno se enciende automáticamente al abrir la puerta y se apaga al cerrarla. Para encender la luz cuando la puerta está cerrada, presione OVEN LIGHT (LUZ DEL HORNO) en el panel de control.

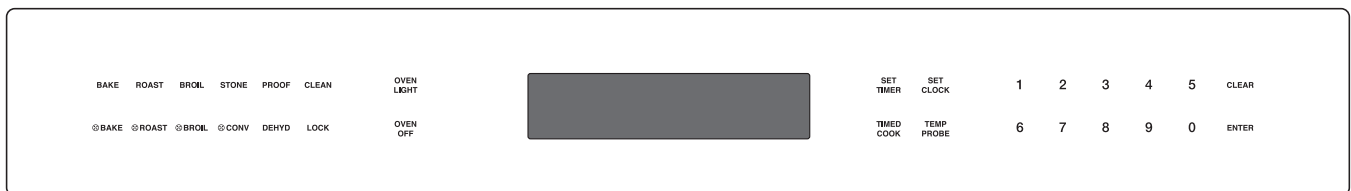
ANTES DE UTILIZARLO

Para asegurarse de que todo el aceite residual del proceso de fabricación se haya eliminado, cada horno tiene que pasar por el siguiente procedimiento.

- 1 Limpie cuidadosamente el horno con agua caliente y un detergente suave. Enjuague y seque con un paño suave.
- 2 Encienda la ventilación La presencia de un poco de humo y olor es normal.
- 3 Presione  ROAST (ASAR para el horno inferior) y ajuste la temperatura a 550 °F (290 °C) durante una hora.
- 4 Presione OFF (APAGAR) y deje que el horno enfríe con la puerta cerrada.

PRECALENTAMIENTO

Durante el precalentamiento, el horno se calienta lo más rápido y uniforme posible y no es ideal para cocinar. El precalentamiento debe ser utilizado para todos los modos de cocción excepto el de asado y asado por convección. Una vez que se haya completado el precalentamiento, un aviso sonoro indica que el horno alcanzó la temperatura programada.



Panel de control (horno sencillo ilustrado en la imagen)

Funcionamiento del horno

RELOJ

El reloj se visualiza en el panel de control durante todos los modos de cocción, excepto cuando el temporizador está en uso. Es muy importante fijar el reloj en la hora correcta si se utiliza la función de cocción cronometrada. El reloj debe restablecerse después de un corte de energía.

Para configurar el reloj:

- 1 Presione SET CLOCK (AJUSTAR RELOJ) en el panel de control.
- 2 Presione las teclas numéricas para ajustar la hora del día.
- 3 Presione ENTER (INTRO), luego presione 1 para AM o 2 para PM.
- 4 Presione ENTER (INTRO).

TEMPORIZADOR

El temporizador se puede ajustar para un máximo de 9 horas y 59 minutos. Una vez que se ajusta el tiempo, la cuenta regresiva se ilumina en la pantalla del panel de control. El último minuto se cuenta en segundos. Al terminar, el horno sonará y el tiempo parpadeará. El temporizador seguirá sonando cada 10 segundos hasta que se presione CLEAR (BORRAR). El temporizador es independiente del horno. Ajustar el temporizador no afecta el tiempo de cocción ni el tiempo de parada. Para obtener información acerca de las características del programa automático, consulte la página 12.

Para configurar el temporizador:

- 1 Presione SET TIMER (AJUSTAR TEMPORIZADOR) en el panel de control.
- 1 Presione las teclas numéricas para ajustar el tiempo en horas y minutos.
- 3 Presione ENTER (INTRO).

OPCIONES EXTENDIDAS

La característica de opciones extendidas permite al usuario seleccionar preferencias de idioma, unidad de temperatura, variación de temperatura, reloj de 12/24 horas, brillo de la luz de fondo, ajuste del contraste y tono de la alarma acústica (aviso sonoro).

Configurar las opciones extendidas:

- 1 Para entrar al modo de opciones extendidas, presione y mantenga presionado SET CLOCK (AJUSTAR RELOJ) durante 5 segundos.
- 2 Presione ENTER (INTRO) para desplazarse por las opciones, a continuación siga las instrucciones en la pantalla del panel de control.
- 3 Para salir, presione CLEAR (BORRAR).

Modos de cocción

MODO	PANEL TÁCTIL PRECONFIGURADO	RANGO	SONDA UTILIZA	
Convección	⊗ CONV	325 °F (165 °C)	170 a 550 °F (75 a 290 °C)	• El movimiento uniforme del aire hace posible la cocción en varios niveles de rejillas con un dorado uniforme.
Hornear por convección	⊗ BAKE (HORNEAR)	375 °F (190 °C)	170 a 550 °F (75 a 290 °C)	• Ideal para hornear tartas.
Asar por convección	⊗ ROAST (ASAR)	325 °F (165 °C)	170 a 550 °F (75 a 290 °C)	• Perfecto para asar cortes tiernos de res, cordero, puerco y aves.
Asado por convección	⊗ BROIL (ASADO)	1 2 3	550 °F (290 °C) 450 °F (230 °C) 350 °F (175 °C)	Acorta el tiempo de asado para cortes más gruesos de carne, pescado y aves. Utilice la parrilla de dos partes y siempre realice el asado con la puerta del horno cerrada.
Hornear	BAKE (HORNEAR)	350 °F (175 °C)	170 a 550 °F (75 a 290 °C)	• Lo mejor para cocinar en rejilla sencilla, principalmente alimentos horneados. Utilice para recetas estándar.
Asar	ROAST (ASAR)	350 °F (175 °C)	170 a 550 °F (75 a 290 °C)	• El mejor para asar cortes menos tiernos de carne, como asados en trozo y carne para estofado que debe ir cubierta.
Asado	BROIL (ASADO)	1 2 3	550 °F (290 °C) 450 °F (230 °C) 350 °F (175 °C)	Lo mejor para asar piezas de carne, pescado y aves hasta de 1" de grosor. Utilice la parrilla de dos partes y siempre realice el asado con la puerta del horno cerrada.
Piedra para hornear	STONE (PIEDRA)	400 °F (205 °C)	170 a 550 °F (75 a 290 °C)	• Hornear sobre una piedra cerámica. Excelente para pizza y pan. Se requiere un accesorio de piedra para hornear. Instrucciones adicionales incluidas con el accesorio.
Fermentación	PROOF (FERMENTACIÓN)	85 °F (30 °C)	85 a 110 °F (30 a 45 °C)	• Ideal para fermentar o levar la masa de pan.
Deshidratación	DEHYD (DESHIDRATACIÓN)	135 °F (60 °C)	110 a 160 °F (45 a 70 °C)	Seca una variedad de frutas, vegetales y carnes. Se requieren accesorios para rejillas y tope de puerta. Instrucciones adicionales incluidas con el accesorio.
Autolimpieza	CLEAN (LIMPIAR)			El horno alcanza una temperatura extremadamente alta para permitir que los residuos de alimentos se quemen. Consulte la página 12.

Fermentación

Ajuste de los controles:

- 1 Presione **PROOF** (FERMENTACIÓN).
- 2 La temperatura del horno está preestablecida a 85 °F (30 °C). Presione **ENTER** (INTRO) para seleccionar la temperatura predeterminada o utilice las teclas de número para cambiar la temperatura hasta 110 °F (45 °C).
- 3 Presione **ENTER** (INTRO).

Deshidratación

Se requiere un kit de accesorios. Los accesorios están disponibles a través de un distribuidor autorizado de Wolf. Para obtener más información acerca de los distribuidores locales, visite la sección para encontrar una sala de exposición de nuestro sitio web, wolfappliance.com.

Ajuste de los controles:

- 1 Presione **DEHYD** (DESHIDRATACIÓN).
- 2 La temperatura del horno está preestablecida a 135 °F (60 °C). Presione **ENTER** (INTRO) para seleccionar la temperatura predeterminada o utilice las teclas de número para cambiar la temperatura entre 110 °F (45 °C) y 160 °F (70 °C).
- 3 Presione **ENTER** (INTRO).

Sonda de temperatura

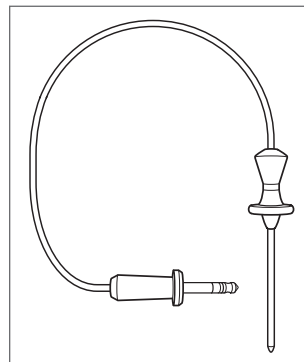
Utilice solamente la sonda de temperatura que viene con este electrodoméstico. Consulte la siguiente ilustración. La sonda de temperatura mide la temperatura interna de los alimentos durante la cocción. Se puede utilizar con todos los modos de cocción excepto el de asado y asado por convección.

Ajuste de los controles:

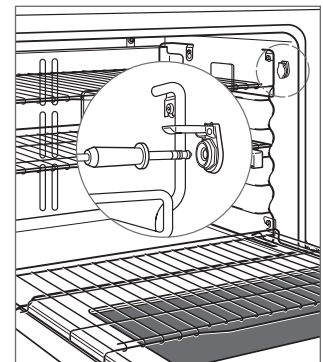
- 1 Presione el modo de cocción deseado.
- 2 Presione **ENTER** (INTRO) para seleccionar la temperatura predeterminada o utilice las teclas de número para cambiar la temperatura y, a continuación, presione **ENTER**.
- 3 Inserte la sonda en la parte más gruesa de la comida. Al hacer pan, cocine aproximadamente 10 minutos antes de insertar la sonda.
- 4 Cuando el precalentamiento esté completo, utilice un guante de cocina para levantar la cubierta del recipiente de la sonda y luego inserte la sonda. Consulte la siguiente ilustración.
- 5 Presione **TEMP PROBE** (SONDA DE TEMP). Utilice las teclas numéricas para seleccionar la temperatura, luego presione **ENTER**. La sonda de temperatura aparece en la pantalla hasta que se alcanza el punto de ajuste.
- 6 Una señal sonora indica que la temperatura interna alcanzó el punto de ajuste de la sonda. Retire y luego vuelva a insertar la sonda para comprobar la temperatura interna.

⚠PRECAUCIÓN

La sonda y el recipiente de la sonda estarán muy calientes. Manipule con cuidado.



Sonda de temperatura



Recipiente de la sonda

Programa automático

COCCIÓN CRONOMETRADA

La cocción cronometrada apaga automáticamente el horno a una hora específica. El horno empezará a calentar inmediatamente y se apagará a la hora que usted desee que se apague. El reloj debe estar configurado con la hora correcta para que la cocción cronometrada funcione correctamente. Utilice cualquier modo de cocción excepto el de asado, asado por convección y piedra para hornear.

Ajuste de los controles:

- 1 Presione el modo de cocción deseado.
- 2 Presione ENTER (INTRO) para seleccionar la temperatura predeterminada o utilice las teclas de número para cambiar la temperatura.
- 3 Pulse TIMED COOK (COCCIÓN CRONOMETRADA). Utilice las teclas numéricas para ajustar el tiempo de la cocción cronometrada en horas y minutos.
- 4 Presione ENTER (INTRO).

INICIO RETARDADO

El inicio retardado enciende y apaga el horno automáticamente a una hora específica. El horno permanecerá inactivo hasta la hora de inicio deseada y se apagará a la hora que usted desee que se apague. El reloj debe estar configurado con la hora correcta para que el inicio retardado funcione correctamente. Utilice cualquier modo de cocción excepto el de asado, asado por convección y piedra para hornear.

Ajuste de los controles:

- 1 Presione el modo de cocción deseado.
- 2 Presione ENTER (INTRO) para seleccionar la temperatura predeterminada o utilice las teclas de número para cambiar la temperatura. Si presiona ENTER (INTRO), el horno se encenderá inmediatamente, pero entrará en modo inactivo una vez que configure la hora de apagado.
- 3 Pulse TIMED COOK (COCCIÓN CRONOMETRADA). Utilice las teclas numéricas para ajustar el tiempo de la cocción cronometrada en horas y minutos.
- 4 Utilice las teclas numéricas para ajustar el tiempo de apagado en horas y minutos.
- 5 Presione ENTER (INTRO).

Autolimpieza

Durante la autolimpieza, el horno alcanza una temperatura extremadamente alta para quemar los residuos de los alimentos. Retire todas las rejillas del horno y las guías de las rejillas. Estas perderán su color si las deja dentro del horno durante la autolimpieza. La puerta del horno se bloqueará y permanecerá bloqueada hasta que autolimpieza esté completa y la temperatura del horno haya descendido a menos de 300 °F (150 °C). Los tiempos de autolimpieza incluyen una hora de enfriamiento.

Ajustar los controles para una autolimpieza de 3 horas:

- 1 Presione CLEAN (LIMPIAR).
- 2 Presione ENTER (INTRO).

Ajustar los controles para una autolimpieza de 4 horas:

- 1 Presione CLEAN (LIMPIAR).
- 2 Pulse TIMED COOK (COCCIÓN CRONOMETRADA).
- 3 Utilice las teclas numéricas para aumentar el tiempo por 1 hora.
- 4 Pulse ENTER (INTRO) dos veces.

La porcelana está hecha de productos naturales y, por tanto, puede quebrarse o desarrollar finas líneas y grietas debido a la expansión y contracción que ocurre al fluctuar la temperatura del horno (especialmente cuando se usa la función de autolimpieza). Esto puede resultar en imperfecciones cosméticas, tales como una apariencia turbia, opaca o rasguñada. Las imperfecciones cosméticas pueden ser más visibles en una cavidad de horno con color.

⚠ PRECAUCIÓN

Durante la autolimpieza las superficies externas pueden alcanzar una temperatura más alta de lo normal. Debe mantener a los niños alejados.

Sabbath

Este electrodoméstico lleva el certificado Star-K que indica que cumple con estrictas normas religiosas junto con instrucciones específicas que aparecen en www.star-k.org. El modo de Sabbath anula la función de apagado automático por 12 horas. El modo de Sabbath debe restablecerse después de un corte de energía.

Ajuste de los controles:

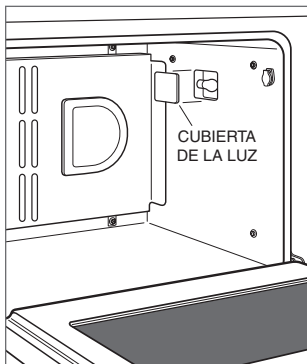
- 1 Presione OVEN LIGHT (LUZ DEL HORNO), para encender o apagar la luz del horno.
- 2 Presione BAKE (HORNEAR) o ROAST (ASAR). La temperatura del horno está preestablecida en 350°F (175°C).
- 3 Presione ENTER (INTRO) para seleccionar la temperatura predeterminada o utilice las teclas de número para cambiar la temperatura y, a continuación, presione ENTER.
- 4 Presione y mantenga presionado ENTER (INTRO) durante 5 segundos. Se visualizará "SABBATH" en la pantalla del panel de control indicando que se ha iniciado el modo de Sabbath.
- 5 Para cancelar, presione OVEN OFF (APAGAR HORNO).

Luz del horno

⚠ ADVERTENCIA

Compruebe que la energía esté desconectada de la caja eléctrica antes de reemplazar el foco.

Deje que el horno enfríe por completo, luego retire las rejillas del horno y las guías de las rejillas. Para retirar la cubierta de la luz, haga palanca suavemente en el borde inferior con un destornillador plano. Retire el foco existente y reemplácelo con un foco de halógeno de 20 vatios.



Reemplazo del foco

Recomendaciones sobre el cuidado

LIMPIEZA

Acero inoxidable Use un limpiador no abrasivo para acero inoxidable y aplique con un paño suave sin pelusa. Para resaltar el lustre natural, limpie suavemente la superficie con una tela de microfibra humedecida con agua, seguida con una gamuza para pulir en seco. Siempre siga la dirección del acabado del acero inoxidable.

Cristal negro Rocíe líquido limpiador de cristales en un paño para limpiar.

Guías de las rejillas del horno Retire y coloque sobre una superficie plana cerca del fregadero. Límpielas con agua caliente y un detergente suave o con pasta de bicarbonato de sodio y agua. No las sumerja en agua. Seque con una toalla.

Panel de control Utilice desengrasante en aerosol para retirar las marcas de los dedos y los residuos de alimentos. Rocíe el producto en un paño antes de limpiar el panel.

AVISO IMPORTANTE: No aplique los limpiadores directamente sobre el panel de control.

Interior del horno **AVISO IMPORTANTE:** Retire todos los derrames de alimentos (especialmente salsas azucaradas, ácidas y a base de tomate) cuando el interior del horno sea seguro para tocar. Algunas imperfecciones son permanentes, pero no afectan la función de la porcelana.

Antes de activar la función de autolimpieza, retire suavemente con un cuchillo los restos de alimentos adheridos a la cavidad y la puerta del horno. Para eliminar manchas difíciles, aplique un limpiador ligeramente abrasivo o desengrasante en aerosol y frótelos con una esponja Scotch-Brite™ cero rayones. Lave la cavidad del horno con agua y jabón para eliminar todos los productos químicos de limpieza antes de activar el modo de autolimpieza. Si no se retiran los residuos de la cavidad, es posible que la porcelana se desgaste por corrosión. Una vez que el ciclo de autolimpieza haya terminado, deje enfriar el horno por completo y limpie la ceniza con un paño húmedo.

Parrilla para asar Para limpiar la rejilla superior, utilice detergente suave y un estropajo. Enjuague y seque. Para limpiar la parrilla inferior, deseche la grasa y lave con agua caliente y detergente suave. Enjuague y seque. La rejilla superior de acero inoxidable puede lavarse en lavavajillas, sin embargo, no coloque la rejilla o la parrilla cubierta de porcelana en el lavavajillas.

Resolución de problemas

OPERACIÓN

El horno no funciona.

- Compruebe si la unidad está encendida.
- Compruebe que la alimentación eléctrica a la unidad y el interruptor de circuito de la casa estén encendidos.
- El horno se apagará automáticamente después de 12 horas de uso continuo, excepto en los modos de deshidratación o Sabbath.

Problema con la temperatura del horno.

- Póngase en contacto con la línea de atención al cliente de Wolf al 800-222-7820 para obtener recomendaciones.

El panel táctil del panel de control no responde.

- Presione OVEN OFF (APAGAR HORNO) para salir del modo de Sabbath.
- Apague el interruptor de circuito durante 5 segundos, después vuelva a encenderlo.

En el panel de control se visualiza "SABBATH."

- Presione OVEN OFF (APAGAR HORNO) para salir del modo de Sabbath.

En el panel de control se visualiza "PROBE SHORTED" (SONDA EN CORTO CIRCUITO)

- Presione OVEN OFF (APAGAR HORNO). Compruebe que el conector de la sonda está bien asentado en el recipiente. Restablezca la temperatura del horno y la temperatura de la sonda.

El horno hace "pop" o "bang" durante el precalentamiento o el enfriamiento.

- Eso es normal debido a la expansión y contracción de la nueva cavidad del horno.
- Ejecute un ciclo de autolimpieza. Si el problema persiste, comuníquese con la línea de atención al cliente de Wolf al 800-222-7820.

SERVICIO

- Para mantener la calidad incorporada en su producto, póngase en contacto con el servicio certificado de fábrica de Wolf. Para obtener los datos del centro de servicio autorizado de Wolf más cercano, consulte la sección de Soporte y Servicio de nuestro sitio web, wolfappliance.com o llame a la línea de atención al cliente de Wolf al 800-222-7820.
- Al comunicarse con el servicio, necesitará el modelo y número de serie de su producto. Los dos números también aparecen en la placa de datos del producto. Consulte la página 6 para encontrar la placa de datos.
- Para fines de la garantía, usted también necesitará la fecha de instalación y el nombre de su distribuidor autorizado de Wolf. Esta información debe estar registrada en la página 3 de este manual.

Garantía limitada residencial de Wolf Appliance

PARA USO RESIDENCIAL

GARANTÍA COMPLETA DE DOS AÑOS*

Durante dos años a partir de la fecha de la instalación original, la garantía de su producto Wolf Appliance cubre todas las partes y mano de obra para reparar o reemplazar, bajo el uso residencial normal, cualquier parte del producto que se compruebe estar defectuosa en material o mano de obra. Todos los servicios proporcionados por Wolf Appliance bajo la garantía anterior deben ser ejecutados por servicios certificados de fábrica de Wolf, a menos que Wolf Appliance, Inc. lo especifique de otra manera. El Servicio será proporcionado durante el horario comercial normal.

GARANTÍA LIMITADA DE CINCO AÑOS

Por cinco años a partir de la fecha de la instalación original, Wolf Appliance reparará o reemplazará los siguientes componentes que se comprueben estar defectuosos en material o mano de obra: quemadores de gas (excluyendo la apariencia), elementos eléctricos de calentamiento, motores de sopladores (campanas de ventilación), módulos de control eléctrico, tubos magnetrón y generadores de inducción. Si el propietario utiliza el servicio certificado de fábrica de Wolf, el prestador del servicio reparará o reemplazará estas partes mediante el pago de todos los otros costos, incluyendo mano de obra, a cargo del propietario. Si el propietario utiliza un servicio no certificado, debe ponerse en contacto con Wolf Appliance, Inc. (utilizando la información anotada más adelante) para recibir los componentes reparados o de reemplazo. Wolf Appliance no reembolsará al propietario los importes correspondientes a componentes comprados a un servicio no certificado o a otras fuentes.

TÉRMINOS APLICABLES A CADA GARANTÍA

La garantía se aplica solamente a los productos instalados para uso residencial normal. La garantía se aplica solamente a los productos instalados en cualquiera de los cincuenta estados de los Estados Unidos, el Distrito de Columbia o las diez provincias de Canadá. Esta garantía no cubre las partes o mano de obra para corregir cualquier defecto causado por negligencia, accidente o uso, mantenimiento, instalación, servicio o reparación inadecuados.

LOS RECURSOS DESCRITOS ANTERIORMENTE PARA CADA GARANTÍA SON LOS ÚNICOS QUE WOLF APPLIANCE, INC. PROPORCIONARÁ, YA SEA BAJO ESTA GARANTÍA O BAJO CUALQUIER GARANTÍA QUE RESULTE DE LA APLICACIÓN DE LA LEY. WOLF APPLIANCE, INC. NO SE HACE RESPONSABLE POR LOS DAÑOS INDIRECTOS O INCIDENTALES DERIVADOS DE LA VIOLACIÓN DE ESTA GARANTÍA O CUALQUIER OTRA GARANTÍA, YA SEA EXPRESA, IMPLÍCITA O LEGAL.

Algunos estados no permiten la exclusión o limitación de daños incidentales o consecuentes, por lo tanto la limitación o exclusión anterior podrían no aplicarse en su caso. Esta garantía le otorga derechos legales específicos, y usted también puede tener otros derechos legales que varían entre estados.

Para recibir las partes o el servicio y el nombre del servicio certificado de fábrica de Wolf más cercano a usted, póngase en contacto con Wolf Appliance, Inc., P.O. Box 44848, Madison, WI 53744; Verifique la sección de Soporte y Servicio de nuestro sitio web, wolfappliance.com, envíenos un correo electrónico a customerservice@subzero.com o llame al 800-222-7820.

*Las puertas, paneles, manijas, estructuras de acero inoxidable y superficies internas están cubiertas por una garantía limitada de 60 días sobre piezas y mano de obra, por defectos cosméticos.

*Los filtros de repuesto para los kits de circulación de la campana de ventilación no están cubiertos por la garantía del producto.



Table des matières

- 4 Précautions de sécurité
- 6 Caractéristiques du four de la série E
- 7 Fonctionnement du four
- 13 Conseils d'entretien
- 14 Dépannage
- 15 Garantie Wolf

Service à la clientèle

Le numéro de modèle et le numéro de série sont imprimés sur la fiche d'enregistrement du produit ci-jointe. Les deux numéros sont aussi indiqués sur la plaque signalétique du produit. Reportez-vous à la page 6 pour connaître l'emplacement de la plaque signalétique. Pour les besoins de la garantie, vous devrez aussi avoir la date d'installation et le nom de votre dépositaire Wolf autorisé. Inscrivez ces renseignements ci-dessous pour consultation ultérieure.

RENSEIGNEMENTS SUR LE SERVICE

Numéro de modèle

Numéro de série

Date de l'installation

Nom du service certifié

Numéro du service certifié

Dépositaire autorisé

Numéro du dépositaire

Si votre produit a besoin d'être réparé, assurez-vous d'utiliser un fournisseur de service certifié par l'usine Wolf recommandé par notre centre de service à la clientèle, ou sélectionnez-en un parmi la liste de fournisseurs disponibles à wolfappliance.com/locator. Tous les fournisseurs de service certifiés par l'usine sont soigneusement sélectionnés et rigoureusement formés par nous.

Remarque importante

Pour s'assurer que ce produit est installé et utilisé en toute sécurité et aussi efficacement que possible, prenez note des types de renseignement mis en évidence tout au long de ce guide :

REMARQUE IMPORTANTE met en évidence des renseignements qui sont particulièrement importants.

MISE EN GARDE indique une situation où une blessure mineure ou des dommages au produit peuvent se produire si les directives ne sont pas respectées.

AVERTISSEMENT décrit un danger qui peut causer une blessure grave ou la mort si les précautions ne sont pas respectées.

REMARQUE IMPORTANTE : tout au long de ce guide, les dimensions entre parenthèses sont en millimètres à moins d'indication contraire.

DIRECTIVES IMPORTANTES

PRÉCAUTIONS DE SÉCURITÉ GÉNÉRALE

- Lisez ce guide attentivement avant d'utiliser cet appareil afin de réduire le risque d'incendie, de choc électrique ou de blessures.
- Cet appareil doit être correctement installé et réparé par un installateur qualifié ou une agence de service et mis à la terre par un technicien qualifié.
- Nettoyez seulement les pièces indiquées dans ce guide.
- N'utilisez pas de nettoyants pour le four. Aucun nettoyant pour le four commercial ni aucun revêtement protecteur de toute sorte ne doivent être utilisés dans ou autour des pièces du four.
- Ne touchez pas aux éléments chauffants ou aux surfaces intérieures du four. Les éléments chauffants peuvent être chauds même s'ils sont de couleur foncée. Les surfaces intérieures deviennent assez chaudes pour causer des brûlures. Pendant et après l'utilisation, ne touchez pas et ne laissez pas les vêtements ou d'autres matériaux inflammables entrer en contact avec les éléments chauffants ou les surfaces intérieures du four avant qu'ils n'aient eu suffisamment de temps pour se refroidir.
- Utilisez toujours des poignées sèches pour retirer les casseroles de cet appareil. Des poignées mouillées ou humides peuvent causer des brûlures de vapeur. N'utilisez pas une serviette ou un chiffon épais au lieu de poignées.
- Faites attention lorsque vous ouvrez la porte du four. Laissez l'air chaud ou la vapeur s'échapper avant de regarder ou de mettre les bras dans le four.
- Assurez-vous que l'admission d'air frais du four (située au-dessus de la porte) et le conduit de sortie du four (situé sous la porte) soient dégagés en tout temps.
- Placez les grilles du four aux endroits désirés lorsque le four est froid. Si une grille doit être déplacée et que le four est déjà chaud, assurez-vous que les poignées n'entrent pas en contact avec l'élément chauffant chaud du four.

▲ MISE EN GARDE

Avant d'utiliser la fonction autonettoyage, retirez la lèchefrite, les grilles du four, les guides de grille et tout autre ustensile.

DIRECTIVES IMPORTANTES

PRÉCAUTIONS DE SÉCURITÉ GÉNÉRALE

- Ne réparez pas et ne remplacez pas toute pièce de cet appareil à moins que cela ne soit spécifiquement recommandé dans la documentation accompagnant l'appareil.
- N'utilisez jamais cet appareil pour réchauffer ou chauffer la pièce.
- Ne laissez pas des enfants seuls ou sans surveillance dans la zone où cet appareil est utilisé. Ne laissez jamais des enfants s'asseoir ou se tenir debout sur l'appareil.
- N'utilisez pas de l'eau sur des incendies de graisse. Éteignez la flamme ou utilisez un extincteur à poudre chimique ou à mousse.
- Ne chauffez pas des contenants d'aliment non ouverts comme les pots et les boîtes de nourriture pour bébé. L'accumulation de pression peut faire éclater le contenant et causer des blessures.
- Ne rangez pas et n'utilisez pas de l'essence ou d'autres vapeurs ou liquides inflammables à proximité de cet appareil ou de tout autre appareil.
- Ne rangez pas des articles intéressants pour les enfants au-dessus ou à l'arrière de cet appareil puisqu'ils pourraient grimper sur l'appareil pour les atteindre et se blesser.
- Ne nettoyez pas le joint du four; le frottement ou le déplacement du joint peuvent compromettre l'étanchéité de la porte.
- Portez des vêtements appropriés. Des vêtements lâches ou pendants ne doivent jamais être portés pendant que vous utilisez cet appareil.

▲ AVERTISSEMENT

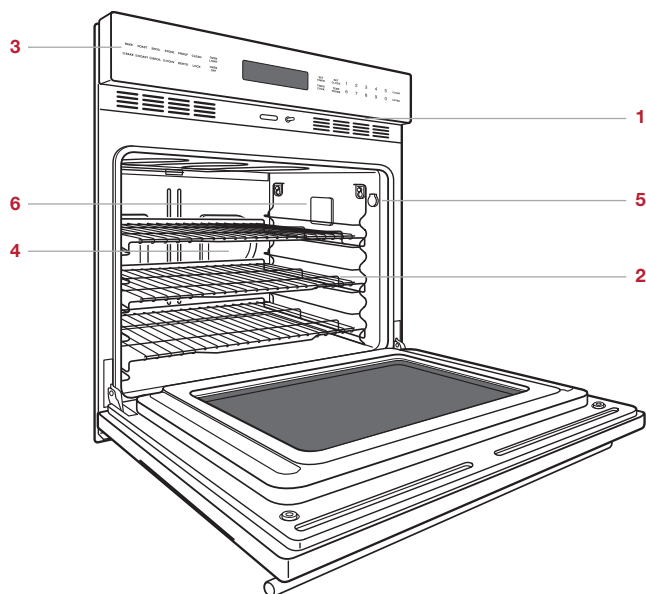
PROPOSITION 65 POUR RESIDENTS DE LA CALIFORNIE

Cancer et Troubles de l'appareil reproducteur—
www.P65Warnings.ca.gov

Caractéristiques du four de la série E

CARACTÉRISTIQUES

1	Plaque signalétique du produit
2	Grilles de four réglables
3	Panneau de commande et affichage
4	Ventilateurs de convection
5	Prise de la sonde de température
6	Éclairage à l'halogène



Four simple de la série E

Comment commencer

Nous savons que vous êtes impatient de commencer à cuisiner, mais avant de le faire, veuillez prendre quelques instants pour lire ce guide d'utilisation et d'entretien. Que vous soyez un cuisinier occasionnel ou un chef expert, il vous sera bénéfique de vous familiariser avec les pratiques de sécurité, les fonctions, le fonctionnement et les recommandations d'entretien de votre four de la série E.

- Nettoyez le four à fond avec de l'eau chaude et un détergent doux. Rincez et séchez avec un chiffon doux pour éliminer tous les résidus d'huile et de graisse laissés par le processus de fabrication. Reportez-vous aux recommandations d'entretien à la page 13.
- Pour obtenir les meilleurs résultats, révisez les modes de cuisson et les caractéristiques spéciales à la page 10.

⚠ MISE EN GARDE

Ne placez pas des casseroles dans le fond du four et n'utilisez pas du papier d'aluminium ou d'autres matériaux pour couvrir le fond ou les parois du four. Le non-respect de cet avis endommagera l'intérieur en porcelaine et annulera votre garantie.

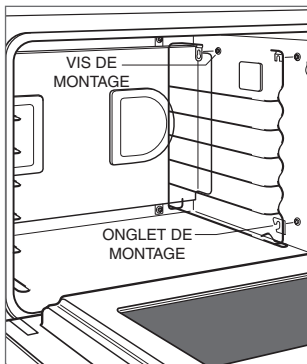
Grilles du four

GUIDES DES GRILLES DU FOUR

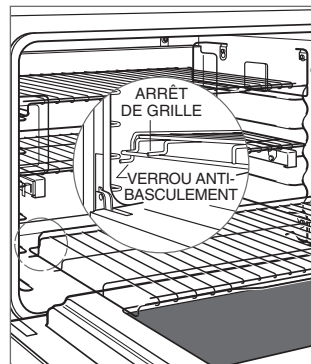
Pour insérer les guides de grille dans le four, repérez les vis de montage dans les parois latérales du four. Placez les onglets de montage du guide de grille sur les vis et glissez vers le bas jusqu'à ce qu'il soit bien appuyé. Reportez-vous à l'illustration ci-dessous.

GRILLES DE FOUR

Pour insérer une grille standard dans le four, placez le verrou antibasculement de la grille sous les rails latéraux du guide de grille. Glissez la grille vers l'arrière et soulevez-la pour contourner les arrêts de grille. Continuez à glisser la grille vers l'arrière jusqu'à ce qu'elle soit complètement à l'intérieur du four. Reportez-vous à l'illustration ci-dessous.



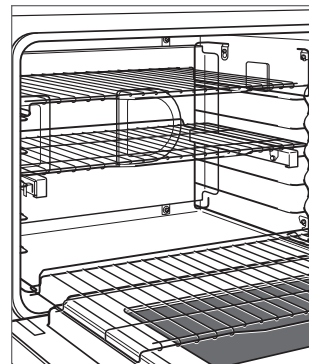
Guides de grille du four



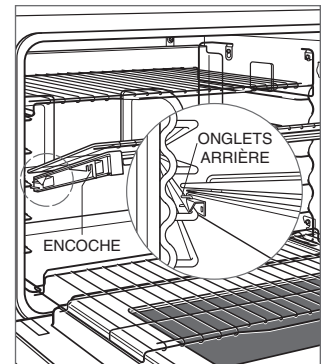
Verrouillage antibasculement de grille du four

La grille de four inférieure peut être sortie complètement et soutenue par la porte du four. La grille étant à la position de guide de grille la plus basse, glissez-la sur les guides de porte pour augmenter sa stabilité et son accès. Reportez-vous à l'illustration ci-dessous.

Pour insérer une grille facile à glisser à extension complète, placez les deux onglets arrière sur le guide de grille (un onglet au-dessus et un onglet en-dessous). Reportez-vous à l'illustration ci-dessous. Inclinez la grille légèrement et glissez-la vers l'arrière jusqu'à ce que l'encoche de grille avant enclenche le guide de grille avant.



Grille inférieure



Grille à extension complète

Fonctionnement du four

PANNEAU DE COMMANDE

Le panneau de commande électronique comprend un clavier tactile pour les modes de cuisson et les autres fonctions. Reportez-vous à l'illustration ci-dessous.

- 1 Touchez au mode de cuisson désiré sur le panneau de commande. Pour les fours doubles, touchez à UPPER/LOWER (supérieur/inférieur) pour sélectionner le four.
- 2 Touchez à ENTER pour sélectionner une température pré-réglée ou utilisez le clavier numérique pour modifier la température.
- 3 Touchez à ENTER.

VERROUILLAGE DU PANNEAU DE COMMANDE


La fonction de verrouillage des commandes empêche le fonctionnement non désiré du four. Enfoncez la touche LOCK pendant trois secondes pour verrouiller et déverrouiller le panneau de commande.

LUMIÈRE DU FOUR

La lumière du four s'allume automatiquement lorsque la porte est ouverte et s'éteint lorsqu'elle est fermée. Pour allumer la lumière lorsque la porte est fermée, touchez à OVEN LIGHT sur le panneau de commande.

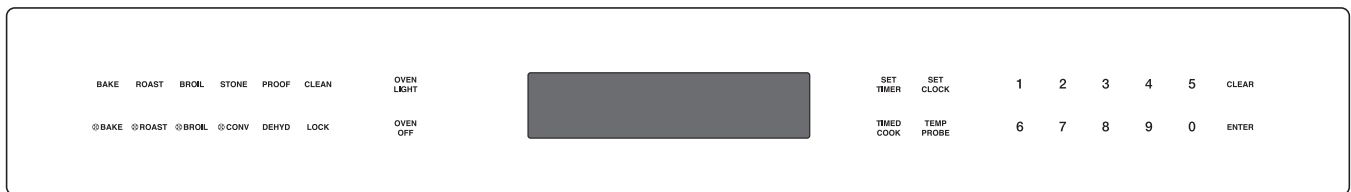
AVANT L'UTILISATION

Pour s'assurer que toute l'huile résiduelle du processus de fabrication ait été éliminée, chaque four doit subir la procédure suivante.

- 1 Nettoyez le four à fond avec de l'eau chaude et un détergent doux. Rincez et séchez avec un chiffon doux.
- 2 Mettez la ventilation en marche. Il est normal de voir de la fumée et de sentir une odeur.
- 3 Touchez à  ROAST (ROAST pour le four inférieur) et réglez la température à 550 °F (290 °C) pendant une heure.
- 4 Touchez à OFF et laissez le four se refroidir en gardant la porte fermée.

PRÉCHAUFFAGE

Durant le préchauffage, le four se chauffe aussi rapidement et uniformément que possible et il n'est pas à son meilleur pour la cuisson. Le préchauffage doit être utilisé pour tous les modes de cuisson, sauf grillage et grillage par convection. Une fois le préchauffage terminé, une sonnerie audible indique que le four a atteint la température de réglage.



Panneau de commande (four simple illustré)

Fonctionnement du four

CLOCK (HORLOGE)

L'horloge est visible sur le panneau de commande durant tous les modes de cuisson, sauf lorsque la minuterie est utilisée. Il est très important que l'horloge soit réglée à la bonne heure si la fonction de cuisson minutée est utilisée. L'horloge doit être réinitialisée après une panne de courant

Réglage de l'horloge :

- 1 Touchez à SET CLOCK sur le panneau de commande.
- 2 Appuyez sur le clavier numérique pour régler l'heure du jour.
- 3 Touchez à ENTER, puis touchez à 1 pour AM ou à 2 pour PM.
- 4 Touchez à ENTER.

TIMER (MINUTERIE)

La minuterie peut être réglée pour une période maximale de 9 heures et 59 minutes. Une fois la durée réglée, le décompte s'illumine sur l'écran du panneau de commande. La dernière minute s'affiche en secondes. Lorsque la durée est terminée, le four retentit et la durée clignote. La sonnerie continue à retentir toutes les 10 secondes jusqu'à ce que la touche CLEAR soit enfoncée. La minuterie est indépendante du four. Le réglage de la minuterie n'affecte pas la durée de cuisson ou l'heure d'arrêt. Pour des renseignements au sujet des fonctions de programmation automatique, reportez-vous à la page 12.

Réglage de la minuterie :

- 1 Touchez à SET TIMER sur le panneau de commande.
- 2 Touchez au clavier numérique pour régler la durée en heures et minutes.
- 3 Touchez à ENTER.

OPTIONS SUPPLÉMENTAIRES

La fonction d'options supplémentaires permet à l'utilisateur de sélectionner ses préférences en matière de langue, d'unité de température, de décalage de température, d'horloge de 12 ou 24 heures, de luminosité du rétroéclairage, de réglage du contraste et de tonalité de la sonnerie.

Réglages des options supplémentaires :

- 1 Pour accéder au mode d'options supplémentaires, touchez et tenez SET CLOCK pendant cinq secondes.
- 2 Touchez à ENTER pour faire défiler les options, puis suivez les directives sur l'affichage du panneau de commande.
- 3 Pour quitter, touchez à CLEAR.

Modes de cuisson

MODE	CLAVIER TACTILE PRÉ-RÉGLAGE	ÉTENDUE	SONDE	UTILISATIONS
Convection	⊗ CONV	325 °F (165 °C)	170 – 550 °F (75 – 290 °C)	• Il est possible de cuire sur plusieurs grilles avec brunissage uniforme dans ce mode grâce au mouvement uniforme de l'air.
Cuisson par convection	⊗ BAKE	375 °F (190 °C)	170 – 550 °F (75 – 290 °C)	• Idéal pour la cuisson des tartes.
Rôtissage par convection	⊗ ROAST	325 °F (165 °C)	170 – 550 °F (75 – 290 °C)	• Idéal pour rôtir des coupes tendres de bœuf, d'agneau, de porc et de volaille.
Grillage par convection	⊗ BROIL	1 2 3	550 °F (290 °C) 450 °F (230 °C) 350 °F (175 °C)	Réduit les temps de grillage pour les tranches épaisses de viandes, de poisson et de volaille. Utilisez la lèchefrite à deux pièces et grillez toujours en gardant la porte du four fermée.
Cuisson	BAKE	350 °F (175 °C)	170 – 550 °F (75 – 290 °C)	• Idéal pour la cuisson sur une seule grille, surtout pour les aliments de boulangerie. À utiliser pour les recettes standards.
Rôtissage	ROAST	350 °F (175 °C)	170 – 550 °F (75 – 290 °C)	• Convient pour le rôtissage de coupes moins tendres de viande, comme les rôtis de palette et la viande à ragoût, qui doivent être couvertes.
Grillage	BROIL	1 2 3	550 °F (290 °C) 450 °F (230 °C) 350 °F (175 °C)	Convient au grillage des morceaux de viande, de poisson et de volaille jusqu'à 1 po d'épaisseur. Utilisez la lèchefrite à deux pièces et grillez toujours en gardant la porte du four fermée.
Pierre de cuisson	STONE	400 °F (205 °C)	170 – 550 °F (75 – 290 °C)	• Cuisson sur une pierre en céramique. Idéale pour les pizzas et le pain. L'accessoire à pierre de cuisson est requis. D'autres directives sont comprises avec l'accessoire.
Apprêt	PROOF	85 °F (30 °C)	85 – 110 °F (30 – 45 °C)	• Idéal pour apprêter ou faire lever la pâte à pain.
Déshydratation	DEHYD	135 °F (60 °C)	110 – 160 °F (45 – 70 °C)	Sèche une variété de fruits, légumes et viandes. Des grilles accessoires et une butée de porte sont requises. D'autres directives sont comprises avec l'accessoire.
Autonettoyage	CLEAN			Le four se chauffe jusqu'à une température extrêmement élevée pour permettre de brûler les restes de nourriture. Reportez-vous à la page 12.

Apprêt

Réglage des commandes :

- 1 Touchez à PROOF.
- 2 La température du four est pré-réglée à 85 °F (30 °C). Touchez à ENTER pour sélectionner une température pré-réglée ou utilisez le clavier numérique pour modifier la température jusqu'à 110 °F (45 °C).
- 3 Touchez à ENTER.

Déshydratation

Une trousse d'accessoire est requise. Les accessoires sont offerts par les dépositaires Wolf autorisés. Pour obtenir des renseignements sur le dépositaire local, visitez la section salle d'exposition de notre site Web, wolfappliance.com.

Réglage des commandes :

- 1 Touchez à DEHYD.
- 2 La température du four est pré-réglée à 135 °F (60 °C). Touchez à ENTER pour sélectionner une température pré-réglée ou utilisez le clavier numérique pour modifier la température entre 110 °F (45 °C) et 160 °F (70 °C).
- 3 Touchez à ENTER.

Sonde de température

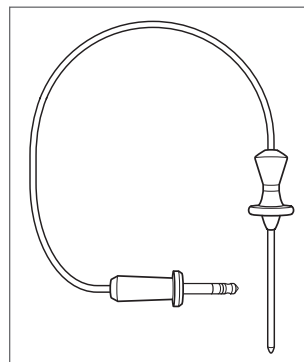
Utilisez uniquement la sonde de température expédiée avec cet appareil. Reportez-vous à l'illustration ci-dessous. La sonde de température mesure la température interne des aliments pendant la cuisson. Elle peut être utilisée avec tous les modes de cuisson, sauf grillage et grillage par convection.

Réglage des commandes :

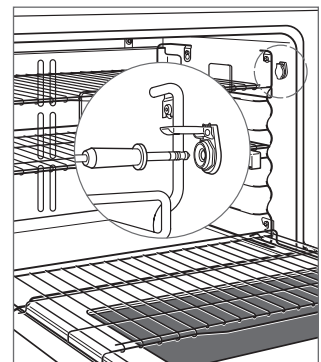
- 1 Touchez au mode de cuisson désiré.
- 2 Touchez à ENTER pour sélectionner une température pré-réglée ou utilisez le clavier numérique pour modifier la température, puis touchez à ENTER.
- 3 Insérez la sonde dans la zone la plus épaisse de l'aliment. Lorsque vous faites du pain, cuisez pendant environ 10 minutes avant d'insérer la sonde.
- 4 Lorsque le préchauffage est terminé, utilisez une poignée pour soulever le couvercle de la prise de sonde, puis insérez la sonde. Reportez-vous à l'illustration ci-dessous.
- 5 Touchez à TEMP PROBE. Utilisez le clavier numérique pour sélectionner la température, puis touchez à ENTER. La température de la sonde apparaît sur l'écran jusqu'à ce que le point de réglage soit atteint.
- 6 Une sonnerie retentit indiquant que la température interne a atteint le point de réglage de la sonde. Retirez, puis insérez la sonde à nouveau pour vérifier la température interne.

⚠ MISE EN GARDE

La sonde et la prise de la sonde seront très chaudes. Manipulez-les avec soin.



Sonde de température



Prise de la sonde

Programmation automatique

CUISSON MINUTÉE

La cuisson minutée éteint automatiquement le four à une heure précisée. Le four commencera à chauffer immédiatement et s'éteindra à l'heure désirée. L'horloge doit être réglée à la bonne heure pour que la fonction de cuisson minutée fonctionne correctement. Utilisez cette fonction avec tout mode de cuisson sauf grillage, grillage par convection et pierre de cuisson.

Réglage des commandes :

- 1 Touchez au mode de cuisson désiré.
- 2 Touchez à ENTER pour sélectionner une température pré-réglée ou utilisez le clavier numérique pour modifier la température.
- 3 Touchez à TIMED COOK. Utilisez le clavier numérique pour régler la durée de cuisson en heures et minutes.
- 4 Touchez à ENTER.

MISE EN MARCHÉ DIFFÉRÉE

La mise en marche différée met automatiquement le four en marche et l'éteint à des heures précisées. Le four demeurera en attente jusqu'à l'heure de mise en marche et s'éteindra à l'heure d'arrêt désirée. L'horloge doit être réglée à la bonne heure pour que la fonction de mise en marche différée fonctionne correctement. Utilisez cette fonction avec tout mode de cuisson sauf grillage, grillage par convection et pierre de cuisson.

Réglage des commandes :

- 1 Touchez au mode de cuisson désiré.
- 2 Touchez à ENTER pour sélectionner une température pré-réglée ou utilisez le clavier numérique pour modifier la température. Si vous touchez à ENTER, le four commence à chauffer immédiatement, mais passe au mode d'attente dès que l'heure d'arrêt est réglée.
- 3 Touchez à TIMED COOK. Utilisez le clavier numérique pour régler la durée de cuisson en heures et minutes.
- 4 Touchez au clavier numérique pour régler l'heure d'arrêt en heures et minutes.
- 5 Touchez à ENTER.

Autonettoyage

Durant le nettoyage automatique, le four est chauffé jusqu'à une température extrêmement élevée pour brûler les restes d'aliments. Retirez toutes les grilles et tous les guides de grille du four. Ils changeront de couleur s'ils sont laissés dans le four pendant l'autonettoyage. La porte du four se verrouillera et demeurera verrouillée jusqu'à ce que le l'autonettoyage soit terminé et la température du four se trouve en dessous de 300 °F (150 °C). Les durées d'autonettoyage comprennent une heure pour le refroidissement.

Réglage des commandes pour l'autonettoyage de trois heures :

- 1 Touchez à CLEAN.
- 2 Touchez à ENTER.

Réglage des commandes pour l'autonettoyage de quatre heures :

- 1 Touchez à CLEAN.
- 2 Touchez à TIMED COOK.
- 3 Utilisez le clavier numérique pour augmenter la durée d'une heure.
- 4 Touchez à ENTER deux fois.

La porcelaine est fabriquée de produits naturels et, par conséquent, elle peut s'écailler et de petites ridules et fissures peuvent apparaître en raison de l'expansion et de la contraction qui se produisent lorsque la température du four varie (particulièrement lorsque la fonction auto-nettoyage est utilisée). Cela entraîne des imperfections cosmétiques, comme un aspect trouble, une apparence terne ou des égratignures. Les imperfections cosmétiques peuvent être plus visibles dans une cavité de four de couleur.

▲ MISE EN GARDE

Pendant l'auto-nettoyage, les surfaces extérieures peuvent devenir plus chaudes que d'habitude. Les enfants ne doivent pas s'approcher.

Shabbath

Cet appareil est certifié par Star-K pour répondre à des règlements religieux rigoureux relativement à des directives précises se trouvant sur www.star-k.org. Le mode Shabbath annule la fonction d'arrêt automatique après 12 heures. La fonction Shabbath doit être réinitialisée après une panne de courant.

Réglage des commandes :

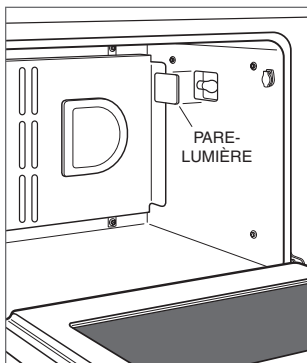
- 1 Touchez à OVEN LIGHT pour allumer ou éteindre la lumière du four.
- 2 Touchez à BAKE ou ROAST. La température est pré-réglée à 350 °F (175 °C).
- 3 Touchez à ENTER pour sélectionner une température pré-réglée ou utilisez le clavier numérique pour modifier la température, puis touchez à ENTER.
- 4 Touchez et tenez la touche ENTER pendant cinq secondes. Le mot « SABBATH » apparaît sur l'affichage du panneau de commande indiquant que le mode Shabbath a été initié.
- 5 Pour annuler, touchez à OVEN OFF.

Lampe du four

⚠ AVERTISSEMENT

Assurez-vous que le courant soit coupé au niveau du coffret électrique avant de remplacer l'ampoule.

Laissez le four se refroidir complètement, puis retirez les grilles et les guides de grille. Pour retirer le pare-lumière, dégagez doucement le rebord inférieur avec un tournevis plat. Retirez l'ampoule existante et remplacez-la par une ampoule halogène de 20 watts. Reportez-vous à l'illustration ci-dessous.



Remplacement de l'ampoule

Conseils d'entretien

NETTOYAGE

Acier inoxydable	Utilisez un nettoyant non abrasif pour l'acier inoxydable et appliquez-le avec un chiffon doux non pelucheux. Pour faire ressortir le lustre naturel, essuyez légèrement la surface avec un chiffon en microfibrilles humecté d'eau suivi d'un chamois à polir sec. Suivez toujours le grain de l'acier inoxydable.
Verre noir	Pulvérisez du nettoyant à vitre sur un chiffon propre.
Guides de grille du four	Enlevez-les et déposez-les sur une surface plate près de l'évier. Nettoyez avec de l'eau chaude et un détergent doux ou une pâte de bicarbonate de soude et d'eau. N'immergez pas dans l'eau. Séchez avec une serviette.
Panneau de commande	Utilisez un dégraissant pulvérisé pour éliminer les empreintes de doigts et les taches de nourriture. Pulvérisez sur un chiffon avant d'essuyer le panneau. REMARQUE IMPORTANTE : Ne pulvérisez pas les produits à nettoyer directement sur le panneau de commande.
Intérieur du four	REMARQUE IMPORTANTE : Retirez tous les aliments renversés (en particulier les sauces sucrées, acides et à base de tomates) lorsque l'intérieur du four est sûr de toucher. Certaines imperfections sont permanentes, mais n'affectent pas le fonctionnement de la porcelaine. Avant d'utiliser la fonction autonettoyage, utilisez une lame de rasoir pour soulever doucement les aliments cuits sur la cavité et la fenêtre du four. Pour les taches rebelles, pulvérisez un nettoyant abrasif doux ou un dégraissant en aérosol et frottez avec un tampon Scotch-Brite™ qui n'égratigne pas. Lavez la cavité du four au complet avec du savon et de l'eau pour éliminer tout produit chimique de nettoyage avant d'utiliser le mode autonettoyage. Si le résidu n'est pas nettoyé de la cavité, la porcelaine risque d'être gravée. Une fois le cycle autonettoyage terminé, laissez le four se refroidir complètement et essuyez les cendres avec un chiffon humide.
Lèchefrite	Pour nettoyer la grille supérieure, utilisez un détergent doux et un tampon à récurer. Rincez et séchez. Pour nettoyer la partie inférieure, jetez la graisse et lavez dans de l'eau chaude avec un détergent doux. Rincez et séchez. La grille supérieure en acier inoxydable peut aller dans le lave-vaisselle, mais ne placez pas la grille ou le plateau enduits de porcelaine dans un lave-vaisselle.

Dépannage

FONCTIONNEMENT

Le four ne fonctionne pas.

- Assurez-vous que l'unité est sous tension.
- Vérifiez l'alimentation électrique vers l'unité et que le disjoncteur de la résidence est en marche.
- Le four s'éteindra automatiquement après 12 heures d'utilisation continue, sauf en mode déshydratation ou Shabbath.

Problème de température du four.

- Communiquez avec le service à la clientèle de Wolf au 800-222-7820 pour obtenir des recommandations.

Aucune réaction de la part des touches du panneau de commande.

- Touchez à OVEN OFF pour quitter le mode Shabbath.
- Mettez le disjoncteur hors tension pendant cinq secondes, puis remettez-le en marche.

Le mot « SABBATH » est affiché sur le panneau de commande.

- Touchez à OVEN OFF pour quitter le mode Shabbath.

Les mots « PROBE SHORTED » sont affichés sur le panneau de commande.

- Touchez à OVEN OFF. Assurez-vous que le connecteur de sonde soit entièrement appuyé au fond de la prise. Réinitialisez la température du four et la température de la sonde.

Le four émet des bruits pendant le préchauffage ou le refroidissement.

- Ceci est normal avec l'expansion et la contraction de toute nouvelle cavité.
- Lancez le cycle d'autonettoyage Si le problème persiste, communiquez avec le service à la clientèle de Wolf au 800-222-7820.

SERVICE

- Préservez la qualité intégrée dans votre produit en communiquant avec un service Wolf certifié par l'usine. Pour obtenir le nom du centre de service Wolf certifié par l'usine le plus près de chez vous, consultez la section Support et service de notre site Web, wolfappliance.com ou appelez le service à la clientèle de Wolf à 800-222-7820.
- Avant d'appeler pour obtenir du service, ayez en main les numéros de modèle et de série de votre produit. Les deux numéros sont indiqués sur la plaque signalétique du produit. Reportez-vous à la page 6 pour connaître l'emplacement de la plaque signalétique.
- Pour les besoins de la garantie, vous devrez aussi avoir la date d'installation et le nom de votre dépositaire Wolf autorisé. Ces renseignements doivent être notés à la page 3 de ce guide.

Garantie limitée résidentielle Wolf Appliance

POUR UTILISATION RÉSIDENTIELLE

GARANTIE COMPLÈTE DE DEUX ANS*

Pendant deux ans à compter de la date d'installation originale, cette garantie de produit Wolf Appliance couvre toutes les pièces et la main d'œuvre pour réparer ou remplacer, selon un usage résidentiel normal, toute partie du produit qui s'avérerait défectueuse en vertu des matériaux ou de la fabrication. Tout service fourni par Wolf Appliance en vertu de la garantie ci-dessus doit être effectué par un centre de service Wolf certifié par l'usine, à moins d'indication contraire de la part de Wolf Appliance, Inc. Le service sera fourni pendant les heures normales d'affaires.

GARANTIE LIMITÉE DE CINQ ANS

Pendant cinq ans à compter de la date originale d'installation, Wolf Appliance réparera ou remplacera les pièces suivantes qui s'avèreront défectueuses en vertu des matériaux ou de la fabrication : les brûleurs au gaz (sauf l'apparence), les éléments de chauffage électrique, les moteurs de soufflerie (hottes de ventilation), les circuits de contrôle électronique, les tubes magnétrons et les génératrices à induction. Si le propriétaire utilise le service Wolf certifié en usine, le fournisseur de service réparera ou remplacera ces pièces et le propriétaire paiera pour tous les autres frais, y compris la main d'œuvre. Si le propriétaire utilise un service non certifié, il doit communiquer avec Wolf Appliance, Inc. (avec les renseignements ci-dessous) pour obtenir des pièces réparées ou de rechange. Wolf Appliance ne remboursera pas le propriétaire pour les pièces achetées d'un service non certifié ou d'autres sources.

CONDITIONS S'APPLIQUANT À CHAQUE GARANTIE

La garantie s'applique uniquement aux produits installés pour un usage résidentiel normal. La garantie s'applique seulement aux produits installés dans l'un des cinquante états des États-Unis, dans le District of Columbia ou les dix provinces du Canada. Cette garantie ne couvre pas les pièces ou la main d'œuvre pour corriger tout défaut causé par de la négligence, un accident ou une utilisation, un entretien, une installation, un service ou une réparation inappropriés.

LES REMÈDES DÉCRITS CI-DESSUS POUR CHAQUE GARANTIE SONT LES SEULS QUI SONT OFFERTS PAR WOLF APPLIANCE, INC. EN VERTU DE CETTE GARANTIE OU EN VERTU DE TOUTE GARANTIE DÉCOULANT DE L'OPÉRATION DE LA LOI. WOLF APPLIANCE, INC. NE SERA PAS RESPONSABLE DES DOMMAGES INDIRECTS OU CONSÉCUTIFS DÉCOULANT DE LA VIOLATION DE CETTE GARANTIE OU DE TOUTE GARANTIE, EXPRESSE, IMPLICITE OU LÉGALE.

Certaines provinces ne permettent pas l'exclusion ou la restriction des dommages indirects ou consécutifs, par conséquent, la limite ou l'exclusion ci-dessus peut ne pas s'appliquer à votre cas. Cette garantie vous confère des droits légaux précis et vous pouvez aussi avoir d'autres droits légaux qui peuvent varier d'une province à l'autre.

Pour obtenir des pièces et/ou du service et le nom du centre de service Wolf certifié par l'usine le plus près de chez vous, communiquez avec Wolf Appliance, Inc., P.O. Box 44848, Madison, WI 53744 É.-U.; Consultez la section Support et service de notre site Web, wolfappliance.com, envoyez-nous un courriel à customerservice@subzero.com ou composez le 800-222-7820.

*L'acier inoxydable (les portes, les panneaux, les poignées, les cadres et les surfaces intérieures) est couvert par une garantie limitée de 60 jours sur les pièces et la main d'œuvre pour toute défectuosité cosmétique.

*Les filtres de rechange pour les trousse de recirculation de hotte ne sont pas couverts par la garantie du produit.





WOLF APPLIANCE, INC. P.O. BOX 44848 MADISON, WI 53744 WOLFAPPLIANCE.COM 800.222.7820

822995 REV-D

4/2020

