

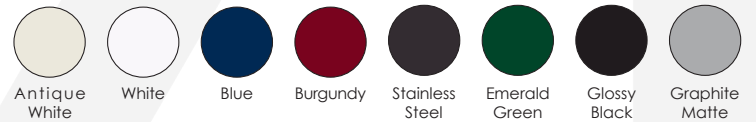
NOSTALGIE SERIES/UPDN100FDM
40" DUAL FUEL RANGE



The Nostalgie immediately states its vocation as a range designed and crafted for the most demanding chef without alienating casual cooks with its user-friendly functions.

Fuel Type..... **Dual Fuel**
 Gas Type..... **Liquid Propane or Natural Gas**

OVEN COLORS



TRIM*

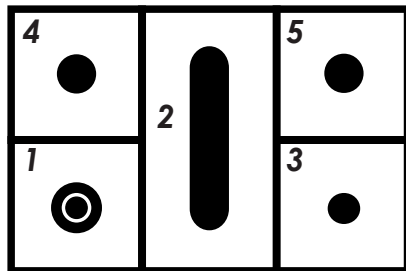


**Trim colors are available for every oven color.*

FEATURES

Cooktop

- Cooktop surface..... Deep Recessed
- Number of Burners/Elements..... 5
- Gas Heat Configuration..... Sealed Burners
- Burner/ Element Fuel..... Gas
- Grate Type..... Cast Iron
- Cooktop Control Type..... Knobs
- Cooktop Control Location..... Front
- Burner Output No. 1..... 15,500 BTU/ Double Burner
- Burner Output No. 2..... 10,500 BTU/ Fish Burner
- Burner Output No. 3..... 7,000 BTU/ Small Burner
- Burner Output No. 4..... 10,500 BTU/ Large Burner
- Burner Output No. 5..... 10,500 BTU/ Large Burner



Oven

- Oven Fuel..... Electric
- Oven Door Type..... Triple-Layer Glass Door
- Oven Type..... Convection
- Oven Cleaning Type..... Self-Clean Mode*
- Oven Control Type..... Knobs
- Oven Control Place..... Front
- Oven Light(s) in Main Oven..... 1
- Oven Light(s) in Second Oven..... 1
- Oven Light Type..... LED
- Number of Rack Placements..... 5
- Soft Close Door..... No
- Display..... LED
- Broiler..... Electric
- Child Safety Lock..... No
- Timer..... Yes

**Protective Panel is required (sold separately)*

INCLUDED

- | | |
|-------------------------|---------------------------------|
| Range Hood..... No | Oven Racks (Main Oven)..... 2 |
| Power Cord..... Yes | Oven Racks (Second Oven)..... 1 |
| Grate..... Yes | Oven Trays (Main Oven)..... 1 |
| Griddle..... Yes | Oven Trays (Second Oven)..... 1 |
| Legs..... 4 | Rotisserie (Main Oven)..... 0 |
| Backsplash..... 1 | Rotisserie (Second Oven)..... 1 |
| Conversion Kit..... Yes | Gas Regulator..... 1 |
| | Manual..... Yes |

POWER

- Voltage..... 220 v
- Amperage..... 40 amps
- Hertz..... 60 (Hz)
- Power Cord Length..... 45 11/16" / 116 cm
- Power Cord Type..... Hard wire

RECOMMENDED ACCESSORIES

- | | |
|----------------------------------|---------------------------------|
| Toe Kick..... APZ100140* | Chopping Board..... A48401 |
| Solid Leg (Chrome)..... G4221208 | Steam Cooker Basins..... G00202 |
| (Brass)..... G4221216 | BBQ Grill..... G41903 |
| (Bronze)..... G4221218 | Bain-Marie..... G00201 |
| Wok Ring..... A09234 | |

MISCELLANEOUS

- Warranty Length..... 2 years
- Warranty Type..... Limited
- Actual Weight..... 273 lbs / 123 kg
- Product Material..... Stainless Steel

**All colors are available.*

DIMENSIONS

RANGE

Range Width.....	39 6/16" / 100 cm
Range Height without legs.....	27 15/16" / 71 cm
Range Min. Height with legs.....	34 1/16" / 86.5 cm
Range Max Height with legs.....	38" / 96.5 cm
Range Depth.....	21 10/16" / 55 cm
Backsplash Width.....	39 6/16" / 100 cm
Backsplash Height.....	2 6/16" / 6 cm
Backsplash Depth.....	9/16" / 1.5 cm
Backsplash Lip.....	3/16" / 0.5 cm
Top Handle Length.....	33 11/16" / 85.5 cm
Main Oven Handle Length.....	20 14/16" / 53 cm
Second Oven Handle Length.....	16 2/16" / 41 cm
Top Oven Handle Depth over Range.....	2 3/16" / 5.5 cm
Main Oven Handle Depth over Range.....	2 3/16" / 5.5 cm
Second Oven Handle Depth over Range.....	2 3/16" / 5.5 cm
Power from bottom.....	8 4/16" / 21 cm
Power from left side.....	22 1/16" / 56 cm
Gas connector from top.....	3 2/16" / 8 cm
Gas connector from right side.....	7 1/16" / 18 cm

COOKTOP

Cooktop Width.....	39 6/16" / 100 cm
Cooktop Depth.....	23 10/16" / 60 cm
Cooktop Height.....	1 9/16" / 4 cm
Cooktop Front Lip Depth over Range.....	9/16" / 1.5 cm
Cooktop Back Lip Depth over Range.....	1 6/16" / 3.5 cm

OVEN

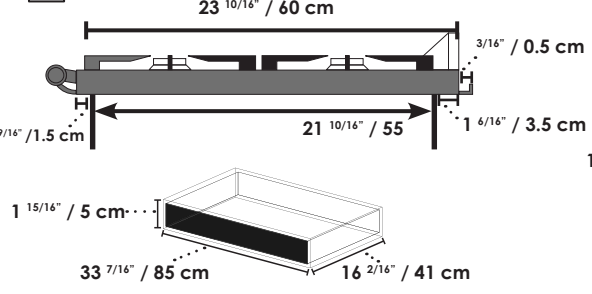
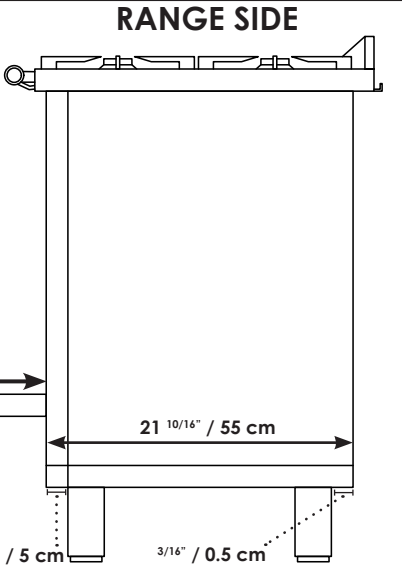
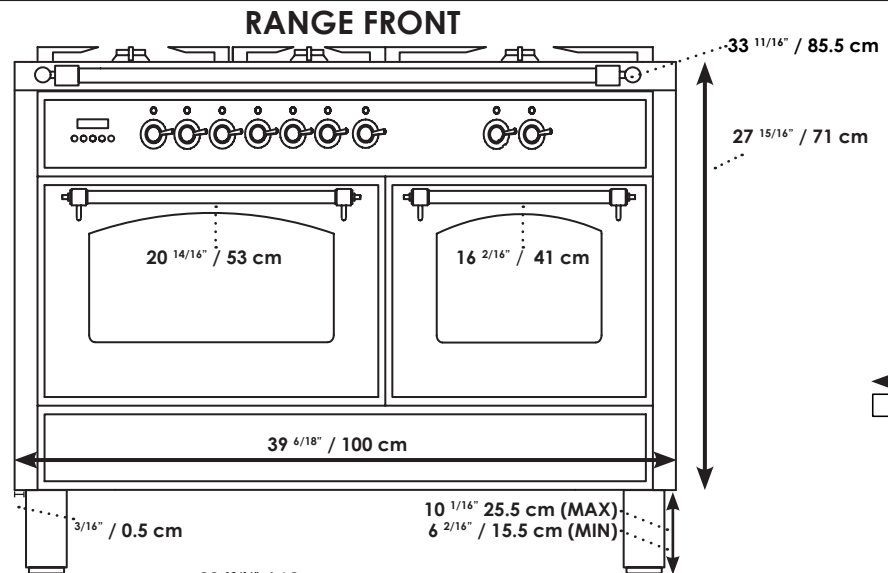
Main Oven Capacity.....	2.44 cu. ft.
Second Oven Capacity.....	1.54 cu. ft.
Main Oven Depth w/ Door Open 90°.....	15 6/16" / 39 cm
Second Oven Depth w/ Door Open 90°.....	15 6/16" / 39 cm
Main Oven Interior Width (Actual).....	17 5/16" / 44 cm
Main Oven Interior Height (Actual).....	13 3/16" / 33.5 cm
Main Oven Interior Depth (Actual).....	17 5/16" / 44 cm
Main Oven Interior Width (Usable).....	15 9/16" / 39.5 cm
Main Oven Interior Height (Usable).....	13 3/16" / 33.5 cm
Main Oven Interior Depth (Usable).....	17 5/16" / 44 cm
Second Oven Interior Width (Actual).....	14" / 35.5 cm
Second Oven Interior Height (Actual).....	13 3/16" / 33.5 cm
Second Oven Interior Depth (Actual).....	17 5/16" / 44 cm
Second Oven Interior Width (Usable).....	12" / 30.5 cm
Second Oven Interior Height (Usable).....	13 3/16" / 33.5 cm
Second Oven Interior Depth (Usable).....	17 5/16" / 44 cm
Height between Rack Plates.....	1 9/16" / 4 cm
Height btw. lowest and highest rack.....	7 14/16" / 20 cm

STORAGE

Type.....	Storage
Width.....	33 7/16" / 85 cm
Height.....	1 15/16" / 5 cm
Depth.....	16 2/16" / 41 cm

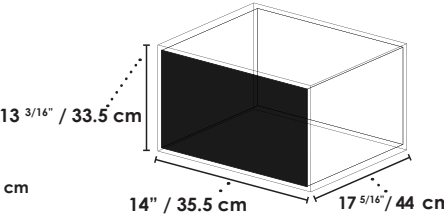
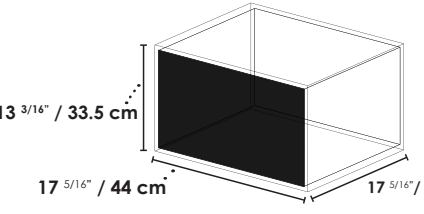
LEGS

Range Leg Type.....	Cylinder
Range Leg Number.....	4
Adjustable Range Legs.....	Yes
Levelable Range Legs.....	Yes
Range Leg Min. Height.....	6 2/16" / 15.5 cm
Range Leg Max. Height.....	10 1/16" / 25.5 cm
Space between Leg & Range (Side).....	3/16" / 0.5 cm
Space between Leg & Range (Front).....	1 15/16" / 5 cm
Space between Leg & Range (Back).....	3/16" / 0.5 cm

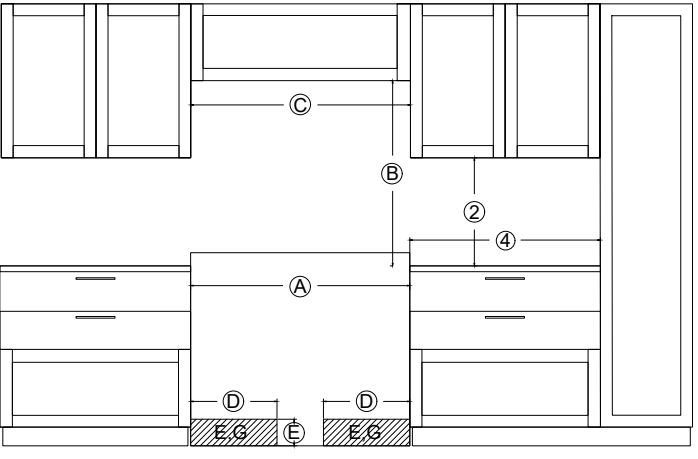
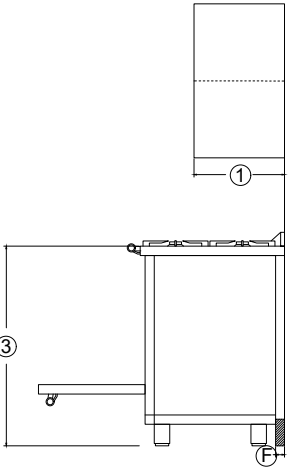


Main Oven Capacity: 2.44 cu. ft.*

Second Oven Capacity: 1.54 cu. ft.*



*Usable space differs from Actual space due to the rack placements and rotisserie.
*Oven Capacity's cubic feet is manufacturer's measurement prior to installation of broiler, oven racks, and convection fan.



THE SHADED AREA REPRESENTS THE INSTALLATION AREA FOR THE CONNECTIONS:
E : ELECTRIC CONNECTION
G : GAS

	DIMENSIONS	DESCRIPTION
1	13" (330 mm)	Maximum depth of top cabinet
2	18" (547 mm)	Minimum distance to bottom edge of top cabinet
3	35 1/2"-37" (901-940 mm)	Distance from the floor to cooktop surface
4	12"	Minimum distance from cooktop surface
A	39 6/16" (100 cm)	Width of cabinet opening
B	30" (762mm)	Minimum distance between the top of the cooking area and bottom of an unprotected combustible surface
C	39 6/16" (100 cm)	Width of the hood area
D	Approx. 10 13/16" (274 mm)	Maximum connection with right and left
E	Approx. 4 1/2" (115 mm)	Maximum connection height
F	Approx. 2 13/16" (72 mm)	Maximum connection depth