

OB36, OB52, OBS36, OBS52



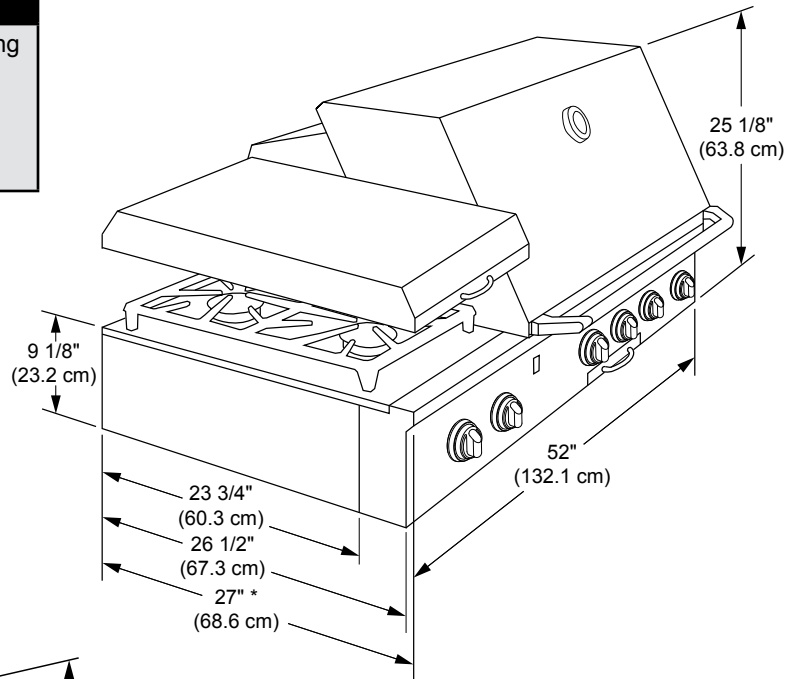
Discovery™ 36", 52" Wide Outdoor Grills

PLANNING GUIDE

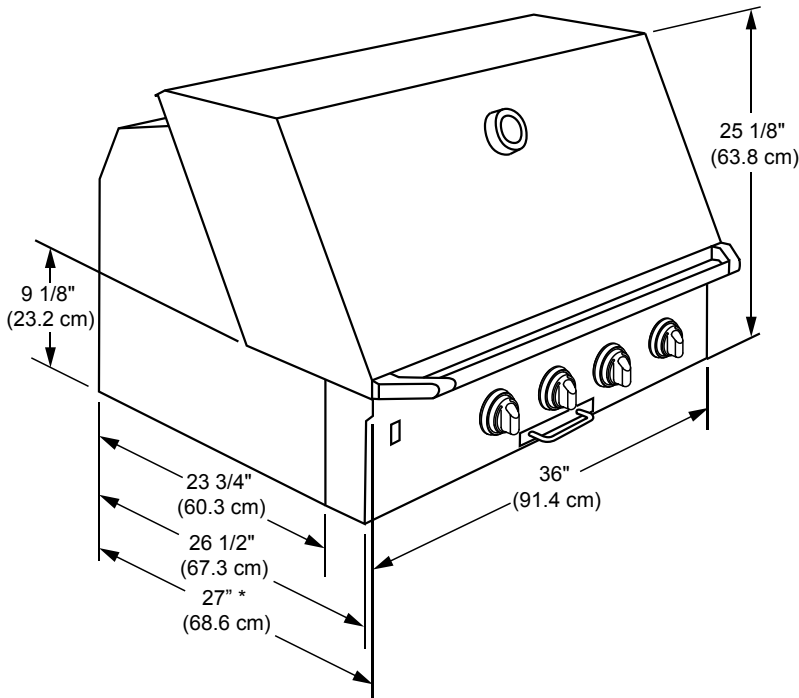
WARNING

- Observe all governing codes and ordinances during planning and installation. Contact your local building department for further information.
- This appliance must be installed in accordance with the accompanying installation instructions.

All tolerances: +1/16" (+1.6 mm), -0, unless otherwise stated



OB[S]52 OVERALL DIMENSIONS



OB[S]36 OVERALL DIMENSIONS

*Total depth with handle: 30" (76.2 cm)



| Model Type | Electrical Circuit Required | Total Connected Load | Gas Type | Manifold Pressure | Minimum Gas Supply Pressure |
|-------------|-----------------------------|----------------------|----------|-------------------|-----------------------------|
| Natural Gas | 120 Vac, 60 Hz, 15 Amp. | 2.9 Amps (0.35 kW) | Natural | 4" Water column | 5" Water column |
| LP Gas | 120 Vac, 60 Hz, 15 Amp. | 2.9 Amps (0.35 kW) | Propane | 11" Water column | 12" Water column |



NOTE:

Supply access for the rotisserie power or an alternate 120 Vac duplex outlet location.

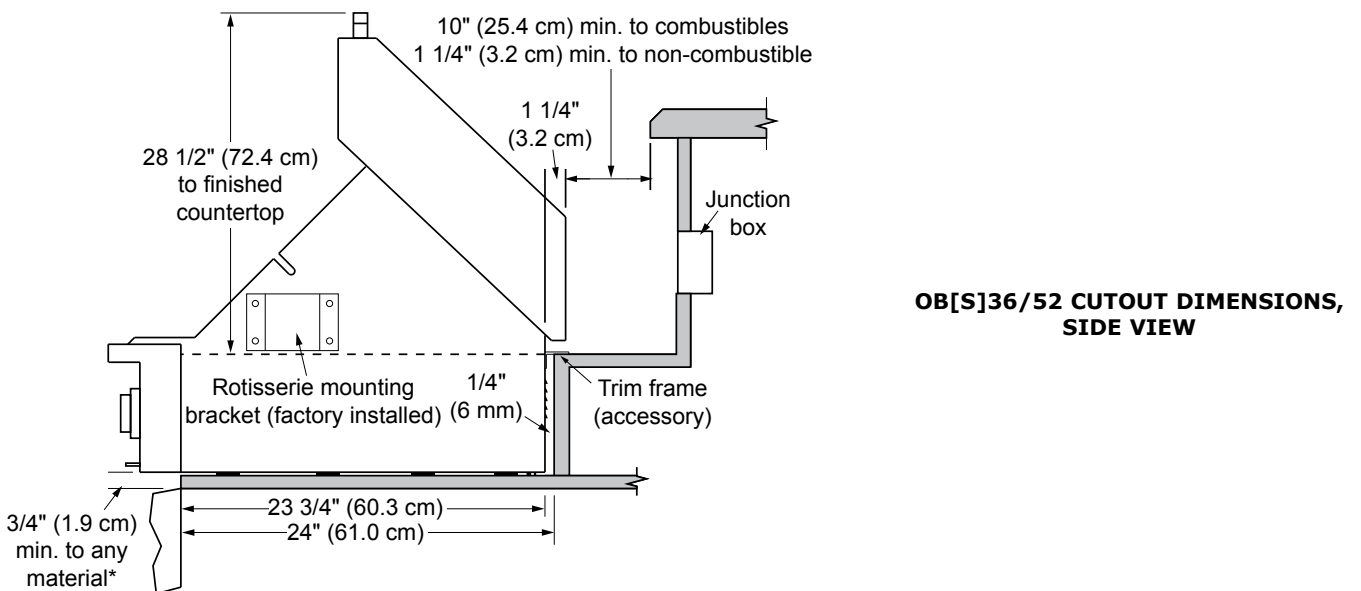
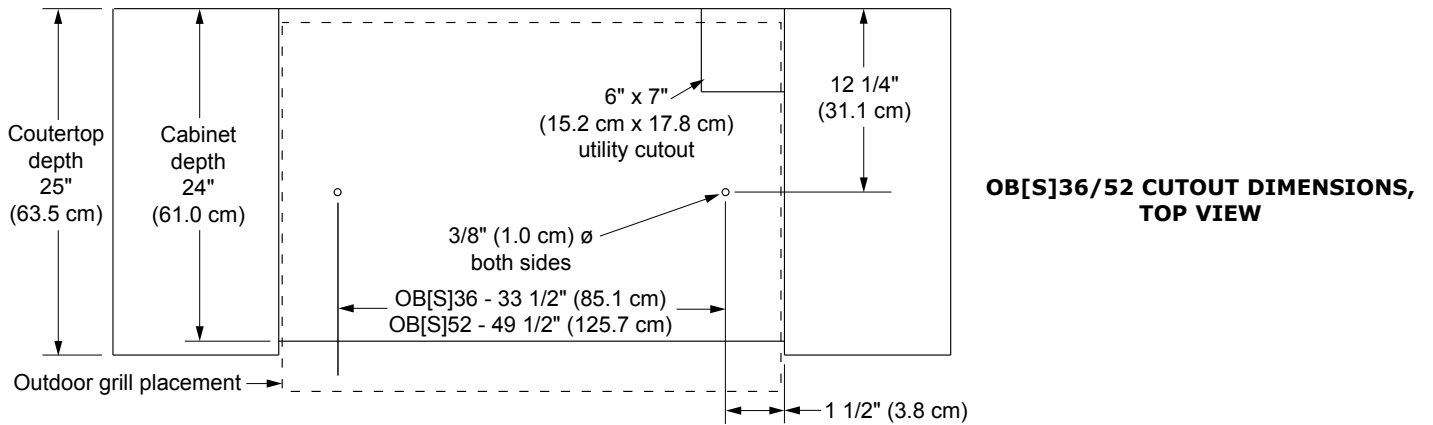
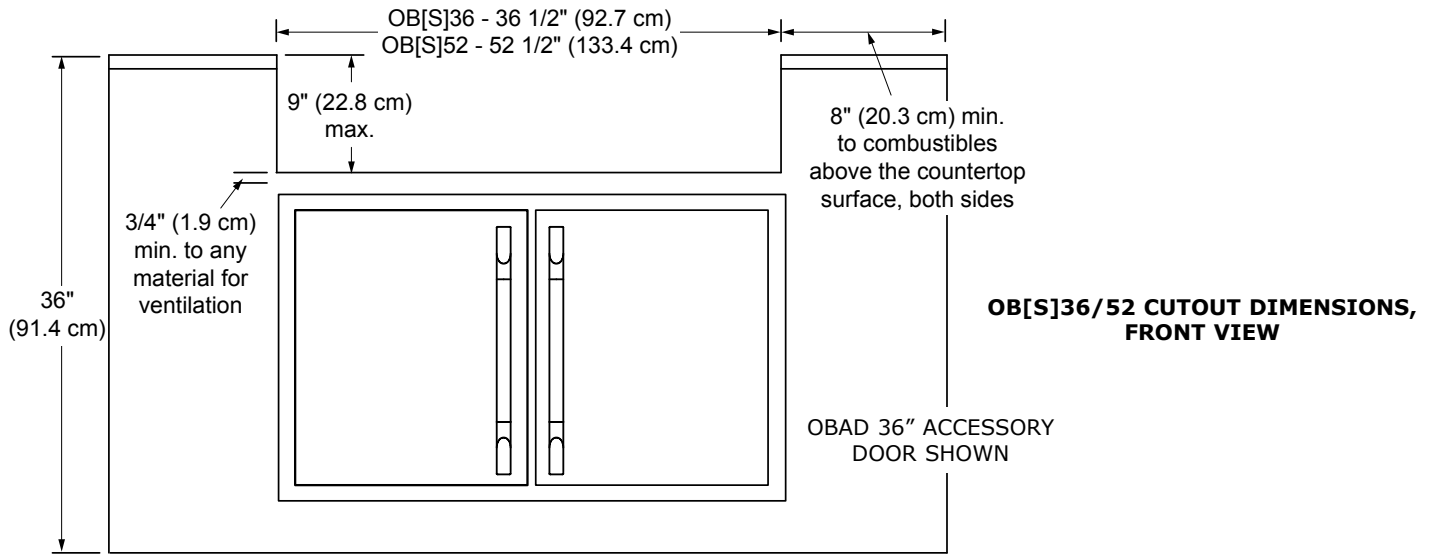
OB36, OB52, OBS36, OBS52



Discovery™ 36", 52" Wide Outdoor Grills

PLANNING GUIDE

All tolerances: +1/16" (+1.6 mm), -0, unless otherwise stated



OB36, OB52, OBS36, OBS52

Document # PG13-001

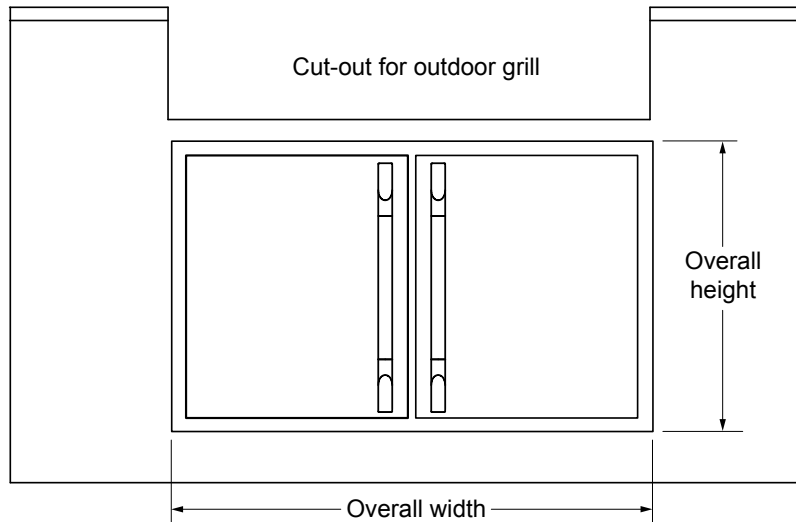
Revised 10/02/11 Page 3/3



Discovery™ 36", 52" Wide Outdoor Grills

PLANNING GUIDE

All tolerances: +1/16" (+1.6 mm), -0, unless otherwise stated



OBADXX ACCESSORY DOOR DIMENSIONS, FRONT VIEW
(OBAD36 SHOWN)

| Specifications | Measurements |
|-----------------|--|
| Overall Width | OBAD20 - 19 1/2" (49.5 cm) OBAD36 - 35 7/8" (91.1 cm) |
| Overall Height | 21" (53.3 cm) |
| Overall Depth | 1/4" (6 mm) deep return on frame edge |
| Cutout Width | OBAD20 - 16 3/4" (42.5 cm) OBAD36 - 33 1/8" (84.1 cm) |
| Cutout Height | 18 3/4" (47.6 cm) |
| Cutout Depth | 3" (7.6 cm) minimum |
| Number of doors | OBAD20 - 1 OBAD36 - 2 |

ACCESSORY DOOR CUTOUT DIMENSIONS