

# 36" DUAL FUEL RANGE



The Professional Plus series is directly inspired by the kitchens of the world's greatest chefs, borrowing materials used in their set-ups. Uncompromised in its design, it's built for the most demanding and skilled chef.

Fuel Type..... **Dual Fuel**  
 Gas Type..... **Liquid Propane or Natural**

## OVEN COLORS



White



Stainless Steel

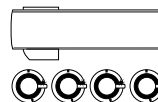


Glossy Black



Graphite Matte

## TRIM\*

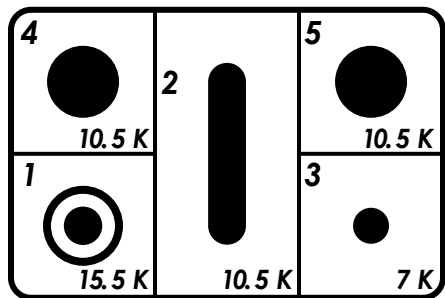


Chrome

*\*Trim colors are available for every oven color.*

## COOKTOP

Cooktop Surface..... **Deep Recessed**  
 Number of Burners/Elements..... **5**  
 Gas Heat Configuration..... **Sealed Burners**  
 Burner/ Element Fuel..... **Gas**  
 Grate Type..... **Cast Iron**  
 Cooktop Control Type..... **Knobs**  
 Cooktop Control Location..... **Front**  
 Burner Output No. 1..... **10,500 BTU / Dual Burner**  
 Burner Output No. 2..... **15, 000 BTU / Small Burner**  
 Burner Output No. 3..... **7,000 BTU / Large Burner**  
 Burner Output No. 4..... **7, 000 BTU / Large Burner**  
 Burner Output No. 5..... **10,500 BTU / Large Burner**



## OVEN

Oven Fuel..... **Dual Fuel**  
 Oven Door Type..... **Triple-Layer Glass Door**  
 Oven Type..... **Convection**  
 Oven Cleaning Type..... **Self-Clean Mode\***  
 Oven Control Type..... **Knobs**  
 Oven Control Place..... **Front**  
 Interior Oven Light(s)..... **2**  
 Interior Oven Light Type..... **LED**  
 Number of Rack Placement..... **5**  
 Soft Close Door..... **No**  
 Display Type..... **LED**  
 Broiler Type..... **Electric**  
 Child Safety Lock..... **No**  
 Timer..... **Yes**  
 Built-in Thermostat..... **Yes**

*\*Protective Panel is required (sold separately)*

## INCLUDED

Range Hood..... <b>No</b>	Conversion Kit..... <b>Yes</b>
Power Cord..... <b>Yes</b>	Oven Racks..... <b>2</b>
Grate..... <b>Yes</b>	Oven Trays..... <b>1</b>
Griddle..... <b>No</b>	Rotisserie..... <b>0</b>
Legs..... <b>4</b>	Gas Regulator..... <b>1</b>
Backsplash..... <b>1</b>	Manual..... <b>Yes</b>

## POWER

Voltage..... **220 v**  
 Amperage..... **30 amps**  
 Hertz..... **60 (Hz)**  
 Power Cord Length..... **45 11/16" / 116 cm**  
 Power Cord Type..... **Hard wire**

## RECOMMENDED ACCESSORIES

Toe Kick..... <b>APZ60140*</b>	Steam Cooker Basins..... <b>G00202</b>
Wok Ring..... <b>A09234</b>	Pizza Plate..... <b>A41800</b>

*\*Available in all colors*

## MISCELLANEOUS

Warranty Length..... **2 years**  
 Warranty Type..... **Limited**  
 Actual Weight..... **187 lbs / 85 kg**  
 Product Material..... **Stainless Steel**

# DIMENSIONS

## RANGE

Range Width.....	<b>35 7/16" / 90 cm</b>
Range Height without legs.....	<b>27 15/16" / 71 cm</b>
Range Min. Height with legs.....	<b>34 1/16" / 86.5 cm</b>
Range Max Height with legs.....	<b>38" / 96.5 cm</b>
Range Depth.....	<b>21 10/16" / 55 cm</b>
Backsplash Width.....	<b>35 7/16" / 90 cm</b>
Backsplash Height.....	<b>5 7/16" / 6 cm</b>
Backsplash Depth.....	<b>9/16" / 1.5 cm</b>
Backsplash Lip.....	<b>3/16" / 0.5 cm</b>
Top Handle Length.....	<b>34 10/16" / 88 cm</b>
Main Oven Handle Length.....	<b>28 15/16" / 73.5 cm</b>
Top Handle Depth over Range.....	<b>2 9/16" / 6 cm</b>
Oven Handle Depth over Range.....	<b>2 9/16" / 6 cm</b>
Power from bottom.....	<b>9 1/16" / 23 cm</b>
Power from left side.....	<b>5 3/16" / 13 cm</b>
Gas connector from bottom.....	<b>3 7/16" / 9 cm</b>
Gas connector from right side.....	<b>7 1/16" / 18 cm</b>

## COOKTOP

Cooktop Width.....	<b>35 7/16" / 90 cm</b>
Cooktop Depth.....	<b>23 10/16" / 60 cm</b>
Cooktop Height.....	<b>1 9/16" / 4 cm</b>
Cooktop Front Lip Depth over Range.....	<b>9/16" / 1.5 cm</b>
Cooktop Front Lip Depth over Range.....	<b>1 6/16" / 3.5 cm</b>

## OVEN

Oven Capacity.....	<b>3.55 cu. ft.</b>
Oven Depth with Door Open 90°.....	<b>15 9/16" / 39 cm</b>
Oven Interior Width (Actual).....	<b>25 3/16" / 64 cm</b>
Oven Interior Height (Actual).....	<b>10 7/16" / 26.5 cm</b>
Oven Interior Depth (Actual).....	<b>16 2/16" / 41 cm</b>
Oven Interior Width (Usable).....	<b>23 7/16" / 59.5 cm</b>
Oven Interior Height (Usable).....	<b>10 7/16" / 26.5 cm</b>
Oven Interior Depth (Usable).....	<b>16 2/16" / 41 cm</b>
Height between Rack Plates.....	<b>1 9/16" / 4 cm</b>
Height between lowest and highest rack.....	<b>7 14/16" / 20 cm</b>

## STORAGE

Type.....	<b>Storage</b>
Width.....	<b>25 13/16" / 65.5 cm</b>
Height.....	<b>3 3/16" / 8 cm</b>
Depth.....	<b>16 3/16" / 41 cm</b>

## LEGS

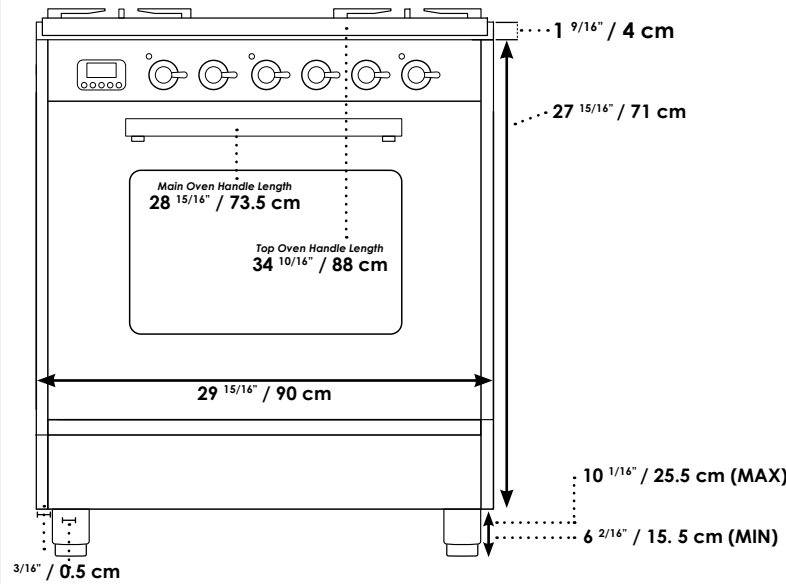
Range Leg Type.....	<b>Cylinder</b>
Range Leg Number.....	<b>4</b>
Adjustable Range Legs.....	<b>Yes</b>
Levelable Range Legs.....	<b>Yes</b>
Range Leg Min. Height.....	<b>6 3/16" / 15.5 cm</b>
Range Leg Max. Height.....	<b>10 1/16" / 25.5 cm</b>
Space between Leg & Range (Side).....	<b>3/16" / 0.5 cm</b>
Space between Leg & Range (Front).....	<b>1 15/16" / 5 cm</b>
Space between Leg & Range (Back).....	<b>3/16" / 0.5 cm</b>

## OVERALL DIMENSIONS

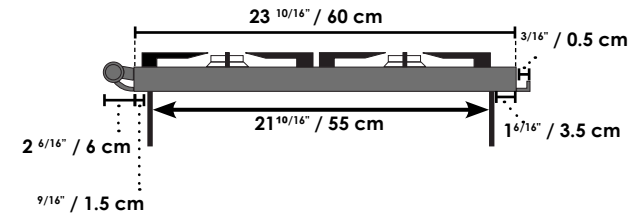
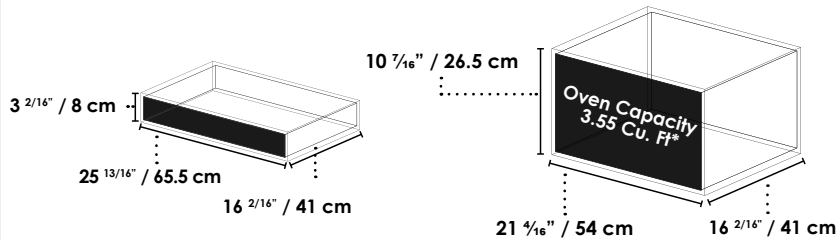
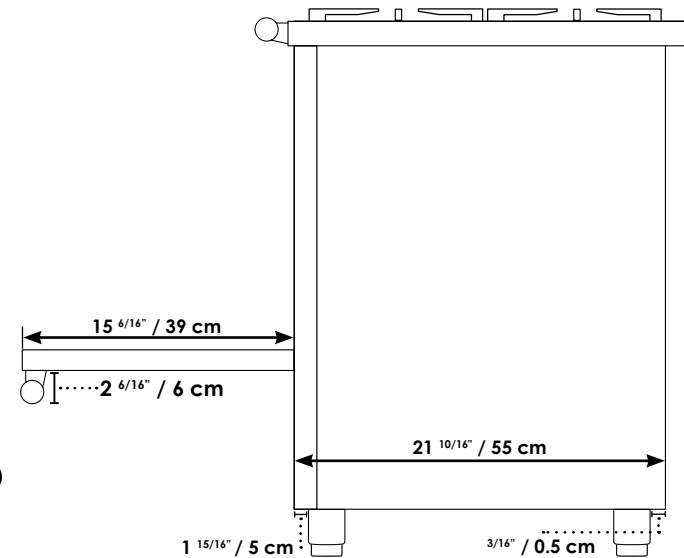
Width.....	<b>35 7/16" / 90 cm</b>
Height*.....	<b>39 9/16" / 100.5 cm</b>
Depth**.....	<b>26 3/16" / 66.5 cm</b>

\*Including max leg height and cooktop height  
\*\*Including handle depth & backlip

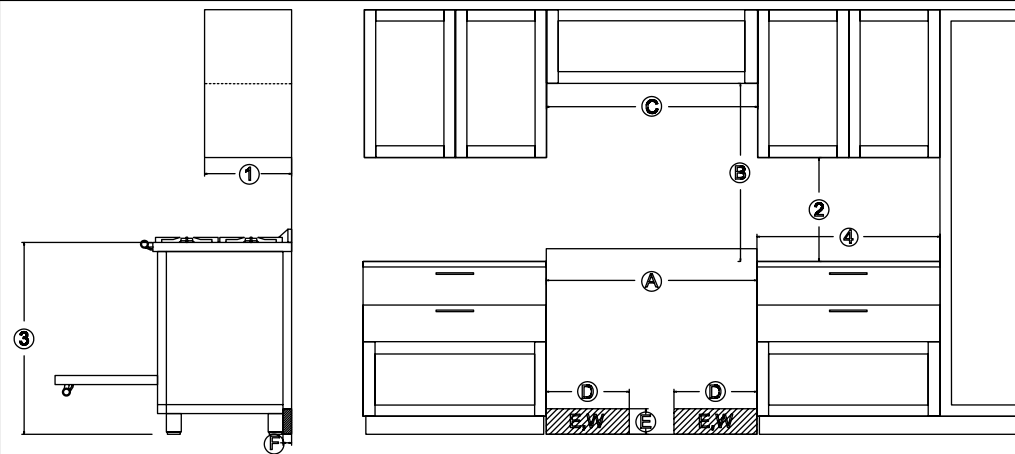
## RANGE FRONT



## RANGE SIDE



\*Oven Capacity's cubic feet is manufacturer's measurement prior to installation of broiler, oven racks, and convection fan. Usable space differs from Actual space due to the rack placements and rotisserie.



The Shaded Area represents the installation area for the connections;

**E** ; Electric Connection  
**W** ; Water Connection

Position	Dimensions	Description
1	13" (330 mm)	Maximum depth of top cabinet
2	18" (547 mm)	Minimum distance to bottom edge of top cabinet
3	35 1/2"-37" (901-940 mm)	Distance from the floor to cooktop surface
4	12"	Minimum distance from cooktop surface
A	23 10/16" (60 cm)	Width of cabinet opening
B	30" (762mm)	Minimum distance between the top of the cooking area and bottom of an unprotected combustible surface
C	23 10/16" (60 cm)	Width of the hood area
D	Approx. 10 13/16" (274mm)	Maximum connection with right and left
E	Approx. 4 1/2" (115mm)	Maximum connection height
F	Approx. 2 3/16" (72mm)	Maximum connection depth