

FGR304B

30 Inch Freestanding Gas Range

FORTÉ



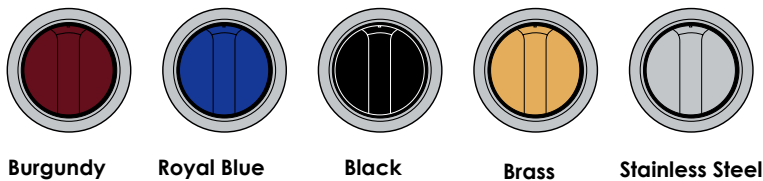
Features

- **Precise Temperature System** puts you in full control of your cooking, promoting ease in the kitchen.
- **Edge-To-Edge Grates** allow for seamless transition of heavy pots and pans across burners.
- **22,000 BTU Multi-Functional Oven** delivers premium cooking results.
- **Convertible Range** allows you to convert between Liquid Propane and Natural Gas.
- **Powerful 10,000 BTU Broiler** provides a concentrated heating method to achieve a crisp exterior and a soft, moist interior.
- **Easy Glide Oven Racks** smoothly slide in and out to offer you complete control when removing your dishes.

Range Color Options



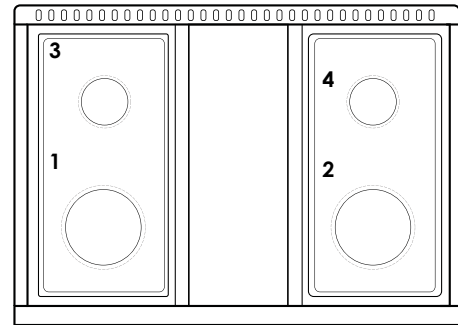
Knob Color Options



FORTÉ Ranges were created with the ambition to uphold Italy's traditions in both quality and standard. Our singular goal: To create visually exquisite appliances, inspired by the innovative technology of the professional cooking world.

With a wide array of colors and styles, available in 24", 30", 36", and 48" widths, FORTÉ Ranges combine beauty and efficiency to complement any kitchen. Featuring durable Italian burners, heavy-duty continuous grates, and versatile multi-functional ovens, our ranges are designed to impress even the most experienced chef. Removable Glass Door and Enamel finishes make for easy cleaning and upkeep, while a precise temperature system and 10,000 BTU Broiler put you in full control of your cooking experience.

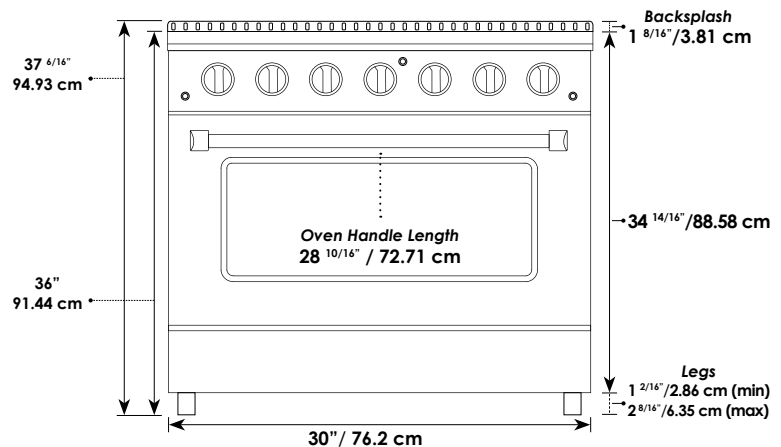
Cooktop Burner Diagram



Number of Cooktop Burners
 Burner/ Element Type
 Cook top Control Type
 Cook top Location
 Burner/Element Output 1
 Burner/Element Output 2
 Burner/Element Output 3
 Burner/Element Output 4

4
Sealed Burner
Knobs
Front
Large Burner, 15,000 BTU
Large Burner, 15,000 BTU
Small Burner, 9,000 BTU
Small Burner 9,000 BTU

Dimensions

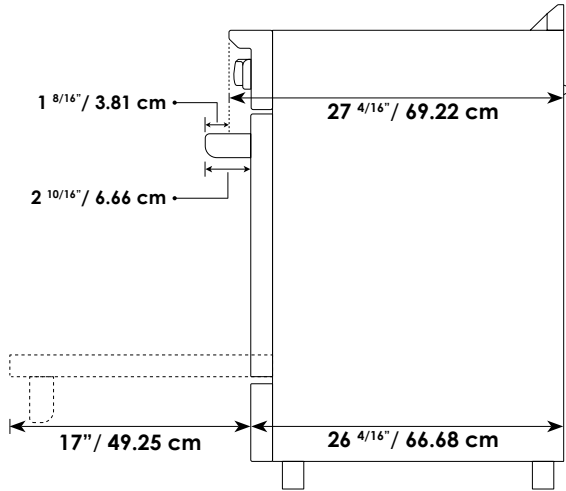


FGR304B

30 Inch Freestanding Gas Range

FORTÉ

Dimensions



Overall Range Dimensions

Range Width	30" / 76.20 cm
Range Overall Height*	37 8/16" / 95.25 cm
Range Overall Depth without handle	27 4/16" / 69.22 cm
Range Overall Depth with Handle	28 12/16" / 73.03 cm
Handle Depth from Cooktop	1 8/16" / 3.81 cm
Handle Depth from Range	2 10/16" / 6.66 cm
Backsplash Height	1 8/16" / 3.81 cm
Backsplash Width	30" / 76.20 cm
Backsplash Depth	1 12/16" / 4.45 cm

*Overall height = min. leg height + range height + cooktop height + backsplash height

Oven Dimensions

Oven Capacity ¹	3.53 Cu. Ft.
Oven Handle Length	28 10/16" / 72.71 cm
Oven Door Depth when Open 90°	17" / 49.25 cm
Oven Interior Width (Actual)	24 14/16" / 63.18 cm
Oven Interior Height (Actual)	14" / 35.56 cm
Oven Interior Depth (Actual)	17" / 43.18 cm
Oven Interior Width (Usable)	23" / 58.42 cm
Oven Interior Height (Usable)	14" / 35.56 cm
Oven Interior Depth (Usable)	17" / 43.18 cm
Height between Rack Plates	3 12/16" / 9.53 cm
Height between Lowest and Highest Rack	8 2/16" / 20.64 cm
Interior Oven Lights in Main Oven	2

Legs Specifications

Range Leg Type	Cylinder
Adjustable Range Legs	Yes
Levelable Range Legs	Yes
Range Leg Height (min)	1 2/16" / 2.86 cm
Range Leg Height (max)	2 8/16" / 6.35 cm

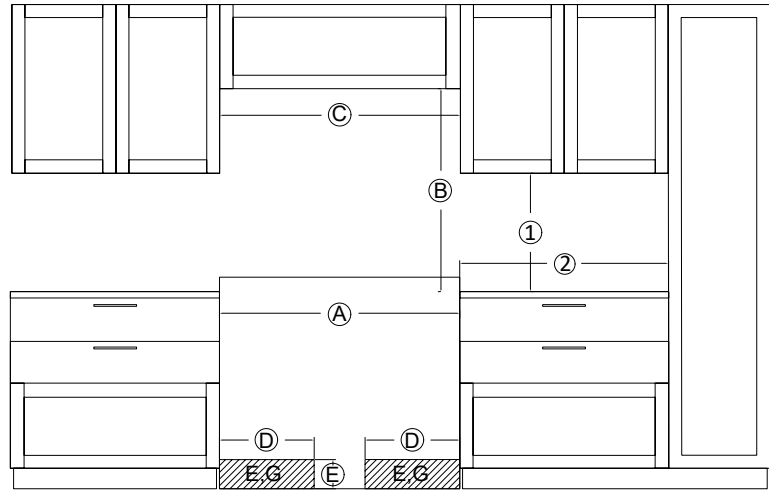
Power Requirements

Voltage	120 v
Amperage	15 amps
Hertz	60
Power Cord Type	Plug-In
Power Cord Length	53" / 134.62 cm
Electric Power Position	From Right 3" / 7.26 cm From Bottom 8" / 20.32 cm
Gas Connector Position	From Left 8" / 20.32 cm From Bottom 6" / 15.24 cm

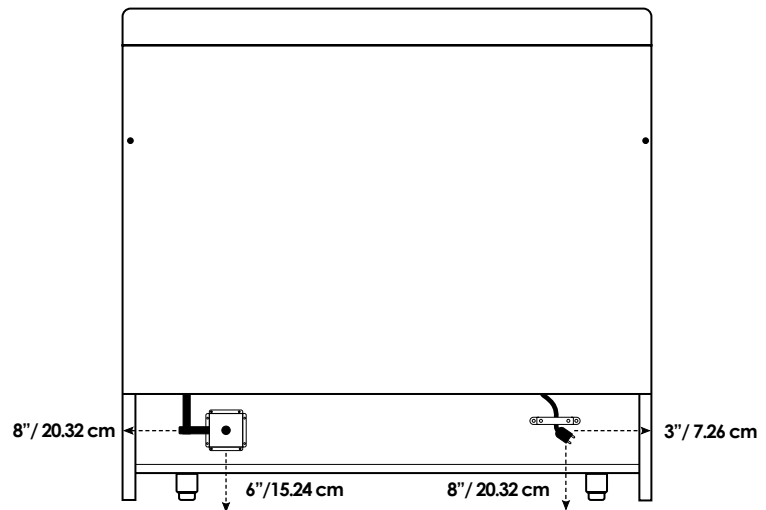
Included

Power Cord	Yes
Grate	Yes
Backsplash	Yes
Legs	Yes
Racks	2
Tray	1
Conversion Kit with Installation Instructions	Yes

Installation Guide



Position	Dimensions	Description
1	18" (547 mm)	Minimum distance to bottom edge of top cabinet
2	12"	Minimum distance from cooktop surface
A	30" / 76.20 cm	Width of cabinet opening
B	26" (66.04 cm) to 32" (81.28 cm)	Minimum and Maximum distance between the top of the cooking area and bottom of an unprotected combustible surface
C	30" / 76.20 cm	Width of the hood area
D	Approx. 10 ^{13/16"} (274mm)	Maximum connection with right and left
E	Approx. 4 1/2" (115mm)	Maximum connection height



¹Oven Capacity is manufacturer's measurement prior to broiler, oven rack(s), and convection fan installation. Usable space differs from Actual space due to the rotisserie and rack placements. Color options are to be used as a reference and may vary on the actual product. Specifications and Dimensions are subject to change without notice. For further questions and more detailed information, please contact our customer service team or visit forteappliances.com.