

# 30" DUAL FUEL RANGE



The Nostalgie immediately states its vocation as a range designed and crafted for the most demanding chef without alienating casual cooks with it's user-friendly functions.

Fuel Type..... **Dual Fuel**  
 Gas Type..... **Liquid Propane or Natural Gas**

### OVEN COLORS



### TRIM\*

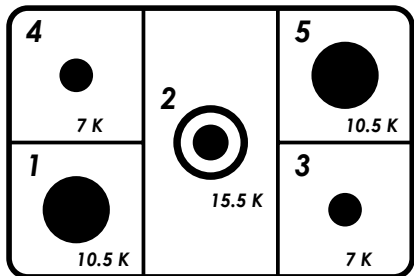


\*Trim colors are available for every oven color.

## FEATURES

### Cooktop

Cooktop Surface.....	Deep Recessed
Number of Burners/Elements.....	5
Gas Heat Configuration.....	Sealed Burners
Burner/ Element Fuel.....	Gas
Grate Type.....	Cast-Iron
Cooktop Control Type.....	Knobs
Cooktop Control Location.....	Front
Burner Output No. 1.....	10,500 BTU / Large Burner
Burner Output No. 2.....	15,500 BTU/ Triple Ring Burner
Burner Output No. 3.....	7,000 BTU / Small Burner
Burner Output No. 4.....	7,000 BTU / Small Burner
Burner Output No. 5.....	10,500 BTU / Large Burner



### Oven

Oven Fuel.....	Electric
Oven Door Type.....	Removable Triple Layer Glass Door
Oven Type.....	Convection
Oven Cleaning Type.....	Self-Clean Mode*
Oven Control Type.....	Knobs
Oven Control Place.....	Front
Interior Oven Light(s).....	2
Interior Oven Light Type.....	LED
Number of Rack Holders.....	5
Soft Close Door.....	No
Display Type.....	LED
Broiler Type.....	Electric
Child Safety Lock.....	No
Timer.....	Yes
Built-in Thermostat.....	Yes

\*Protective Panel is required (sold separately)

## INCLUDED

Range Hood.....	No	Oven Racks.....	2
Power Cord.....	Yes	Oven Trays.....	1
Grate.....	Yes	Rotisserie.....	1
Griddle.....	No	Gas Regulator.....	1
Legs.....	4	Manual.....	Yes
Backsplash.....	1		
Conversion Kit.....	Yes		

## POWER

Voltage.....	220 v
Amperage.....	30 amps
Hertz.....	60 (Hz) Power
Cord Length.....	45 1/16" / 116 cm
Power Cord Type.....	Hardwire

## RECOMMENDED ACCESSORIES

Toe Kick.....	APZ76140*
Wok Ring.....	A09234
Steam Cooker Basins.....	G00202

## MISCELLANEOUS

Warranty Length.....	2 years
Warranty Type.....	Limited
Actual Weight.....	209 lbs / 95 kg
Product Material.....	Stainless Steel

Available in all colors.

# DIMENSIONS

**RANGE**

Range Width.....	29 15/16" / 76 cm
Range Height without legs.....	27 15/16" / 71 cm
Range Min. Height with legs.....	34 1/16" / 86.5 cm
Range Max Height with legs.....	38" / 96.5 cm
Range Depth.....	21 10/16" / 55 cm
Backsplash Width.....	29 15/16" / 76 cm
Backsplash Height.....	2 6/16" / 6 cm
Backsplash Depth.....	9/16" / 1.5 cm
Backsplash Lip.....	3/16" / 0.5 cm
Top Handle Length.....	28 15/16" / 73.5 cm
Oven Handle Length.....	21 1/16" / 53.5 cm
Top Handle Depth over Range.....	2 3/16" / 5.5 cm
Oven Handle Depth over Range.....	2 3/16" / 5.5 cm
Power from bottom.....	9 7/16" / 24 cm
Power from left side.....	5 14/16" / 15 cm
Gas connector from bottom.....	3 9/16" / 9 cm
Gas connector from right side.....	7 9/16" / 19 cm

**COOKTOP**

Cooktop Width.....	29 15/16" / 76 cm
Cooktop Depth.....	23 10/16" / 60 cm
Cooktop Height.....	1 9/16" / 4 cm
Cooktop Front Lip Depth over Range.....	9/16" / 1.5 cm
Cooktop Front Lip Depth over Range.....	1 9/16" / 3.5 cm

**OVEN**

Oven Capacity.....	2.7 cu. ft.
Oven Depth with Door Open 90°.....	15 9/16" / 39 cm
Oven Interior Width (Actual).....	21 4/16" / 54 cm
Oven Interior Height (Actual).....	13 3/16" / 33.5 cm
Oven Interior Depth (Actual).....	16 2/16" / 41 cm
Oven Interior Width (Usable).....	19 9/16" / 49.5 cm
Oven Interior Height (Usable).....	13 3/16" / 33.5 cm
Oven Interior Depth (Usable).....	16 2/16" / 41 cm
Height between Rack Plates.....	1 9/16" / 4 cm
Height between lowest & highest rack.....	7 14/16" / 20 cm

**STORAGE**

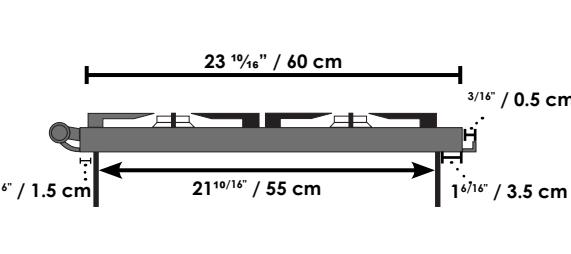
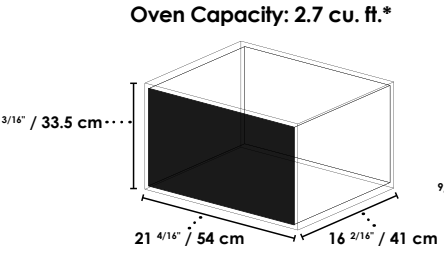
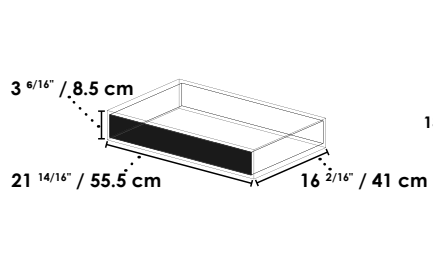
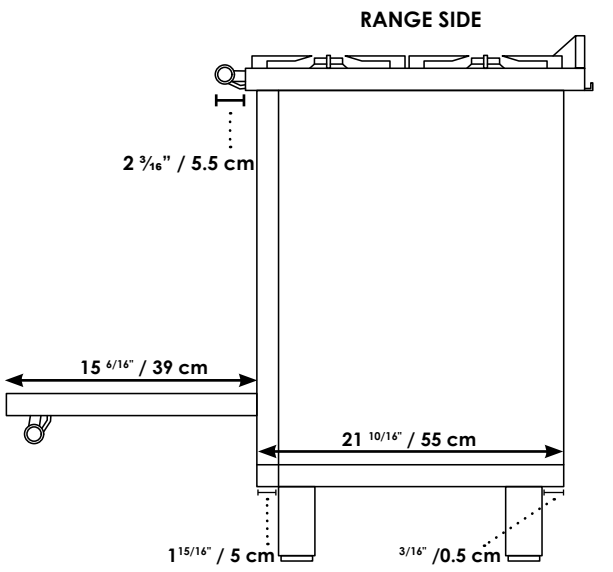
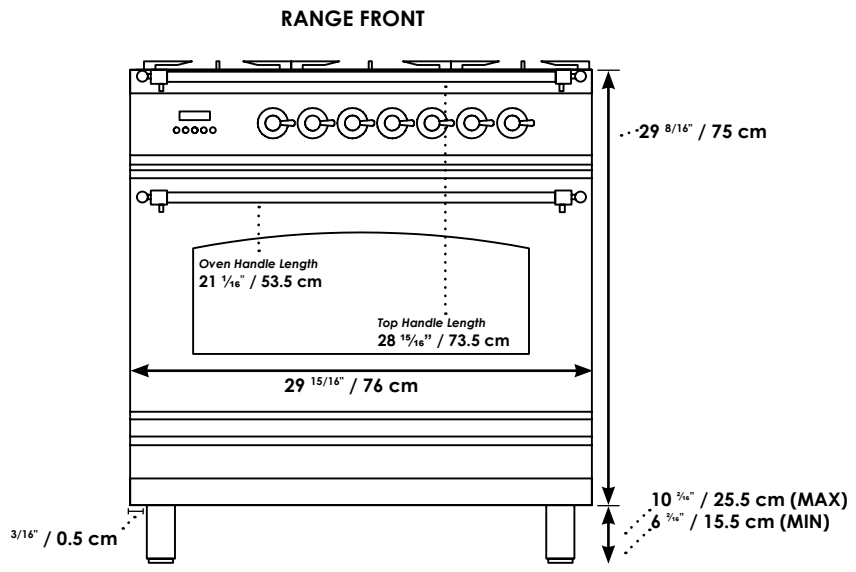
Type.....	Storage
Width.....	21 14/16" / 55.5 cm
Height.....	3 6/16" / 8.5 cm
Depth.....	16 2/16" / 41 cm

**LEGS**

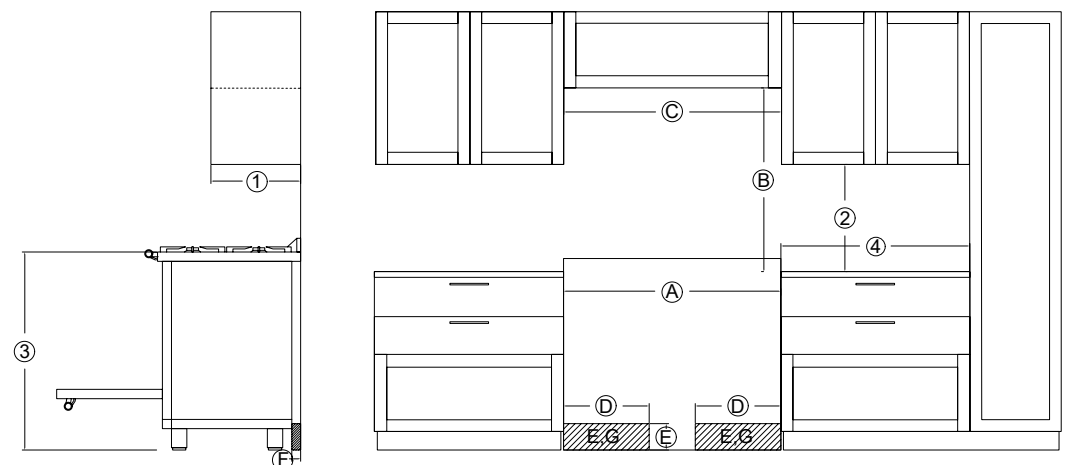
Range Leg Type.....	Cylinder
Range Leg Number.....	4
Adjustable Range Legs.....	Yes
Levelable Range Legs.....	Yes
Range Leg Min. Height.....	6 2/16" / 15.5 cm
Range Leg Max. Height.....	10 1/16" / 25.5 cm
Space between Leg & Range (Side).....	3/16" / 0.5 cm
Space between Leg & Range (Front).....	1 15/16" / 5 cm
Space between Leg & Range (Back).....	3/16" / 0.5 cm

**OVERALL DIMENSIONS**

Width.....	29 15/16" / 76 cm
Maximum Height.....	39 9/16" / 100.5 cm
Minimum Height.....	35 10/16" / 90.5 cm
Depth (with handle).....	26 3/16" / 66.5 cm
Depth (without handle).....	23 10/16" / 60 cm



\*Oven Capacity's cubic feet is manufacturer's measurement prior to installation of broiler, oven racks, and convection fan. Usable space differs from Actual space due to the rack placements and rotisserie.



The Shaded Area represents the installation area for the connections;  
**E** : Electric Connection  
**G** : Gas Connection

Position	Dimensions	Description
1	13" (330 mm)	Maximum depth of top cabinet
2	18" (547 mm)	Minimum distance to bottom edge of top cabinet
3	35 1/2"-37" (90.1 - 94 cm)	Distance from the floor to cooktop surface
4	12"	Minimum distance from cooktop surface
A	30 3/16" / 76.64 cm	Recommended opening
B	27" (68.58 cm) to 32" (81.28 cm)	Minimum distance between the top of the cooking area and bottom of an unprotected combustible surface
C	30 3/16" / 76.64 cm	ILVE hood width (For non-ILVE hoods, check their respective spec sheets)
D	Approx. 10 13/16" (274mm)	Maximum connection with right and left
E	Approx. 4 1/2" (115mm)	Maximum connection height
F	Approx. 2 13/16" (72mm)	Maximum connection depth