

NOSTALGIE SERIES/UPDN100FDM
40" DUAL FUEL RANGE



The Nostalgie immediately states its vocation as a range designed and crafted for the most demanding chef without alienating casual cooks with it's user-friendly functions.

Fuel Type..... **Dual Fuel**
 Gas Type..... **Liquid Propane or Natural Gas**

OVEN COLORS



TRIM*

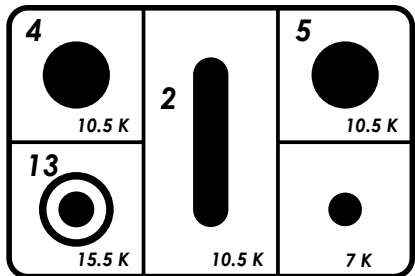


**Trim colors are available for every oven color.*

FEATURES

Cooktop

Cooktop surface.....	Deep Recessed
Number of Burners/Elements.....	5
Gas Heat Configuration.....	Sealed Burners
Burner/ Element Fuel.....	Gas
Grate Type.....	Cast Iron
Cooktop Control Type.....	Knobs
Cooktop Control Location.....	Front
Burner Output No. 1.....	15,500 BTU/ Triple Ring Burner
Burner Output No. 2.....	10,500 BTU/ Fish Burner
Burner Output No. 3.....	7,000 BTU/ Small Burner
Burner Output No. 4.....	10,500 BTU/ Large Burner
Burner Output No. 5.....	10,500 BTU/ Large Burner



Oven

Oven Fuel.....	Electric
Oven Door Type.....	Triple-Layer Glass Door
Oven Type.....	Convection
Oven Cleaning Type.....	Self-Clean Mode*
Oven Control Type.....	Knobs
Oven Control Place.....	Front
Oven Light(s) in Main Oven.....	1
Oven Light(s) in Second Oven.....	1
Oven Light Type.....	LED
Number of Rack Placements.....	5
Soft Close Door.....	No
Display.....	LED
Broiler.....	Electric
Child Safety Lock.....	No
Timer.....	Yes

**Protective Panel is required (sold separately)*

INCLUDED

Range Hood.....	No	Oven Racks (Main Oven).....	2
Power Cord.....	Yes	Oven Racks (Second Oven).....	1
Grate.....	Yes	Oven Trays (Main Oven).....	1
Griddle.....	Yes	Oven Trays (Second Oven).....	1
Legs.....	4	Rotisserie (Main Oven).....	0
Backsplash.....	1	Rotisserie (Second Oven).....	1
Conversion Kit.....	Yes	Gas Regulator.....	1
		Manual.....	Yes

POWER

Voltage.....	220 v
Amperage.....	40 amps
Hertz.....	60 (Hz)
Power Cord Length.....	45 11/16" / 116 cm
Power Cord Type.....	Hard wire

RECOMMENDED ACCESSORIES

Toe Kick.....	APZ100140*	Steam Cooker Basins.....	G00202
Wok Ring.....	A09234	BBQ Grill.....	G41903
Chopping Board.....	A48401	Bain-Marie.....	G00201

MISCELLANEOUS

Warranty Length.....	2 years
Warranty Type.....	Limited
Actual Weight.....	273 lbs / 123 kg
Product Material.....	Stainless Steel

**All colors are available.*

DIMENSIONS

RANGE

Range Width.....	39 6/16" / 100 cm
Range Height without legs.....	27 15/16" / 71 cm
Range Min. Height with legs.....	34 1/16" / 86.5 cm
Range Max Height with legs.....	38" / 96.5 cm
Range Depth.....	21 10/16" / 55 cm
Backsplash Width.....	39 6/16" / 100 cm
Backsplash Height.....	2 6/16" / 6 cm
Backsplash Depth.....	9/16" / 1.5 cm
Backsplash Lip.....	3/16" / 0.5 cm
Top Handle Length.....	33 11/16" / 85.5 cm
Main Oven Handle Length.....	20 14/16" / 53 cm
Second Oven Handle Length.....	16 2/16" / 41 cm
Top Oven Handle Depth over Range.....	2 3/16" / 5.5 cm
Main Oven Handle Depth over Range.....	2 3/16" / 5.5 cm
Second Oven Handle Depth over Range.....	2 3/16" / 5.5 cm
Power from bottom.....	8 4/16" / 21 cm
Power from left side.....	22 1/16" / 56 cm
Gas connector from top.....	3 2/16" / 8 cm
Gas connector from right side.....	7 1/16" / 18 cm

COOKTOP

Cooktop Width.....	39 6/16" / 100 cm
Cooktop Depth.....	23 10/16" / 60 cm
Cooktop Height.....	1 9/16" / 4 cm
Cooktop Front Lip Depth over Range.....	9/16" / 1.5 cm
Cooktop Back Lip Depth over Range.....	1 6/16" / 3.5 cm

OVEN

Main Oven Capacity.....	2.44 cu. ft.
Second Oven Capacity.....	1.54 cu. ft.
Main Oven Depth w/ Door Open 90°.....	15 6/16" / 39 cm
Second Oven Depth w/ Door Open 90°.....	15 6/16" / 39 cm
Main Oven Interior Width (Actual).....	17 5/16" / 44 cm
Main Oven Interior Height (Actual).....	13 3/16" / 33.5 cm
Main Oven Interior Depth (Actual).....	17 5/16" / 44 cm
Main Oven Interior Width (Usable).....	15 9/16" / 39.5 cm
Main Oven Interior Height (Usable).....	13 3/16" / 33.5 cm
Main Oven Interior Depth (Usable).....	17 5/16" / 44 cm
Second Oven Interior Width (Actual).....	14" / 35.5 cm
Second Oven Interior Height (Actual).....	13 3/16" / 33.5 cm
Second Oven Interior Depth (Actual).....	17 5/16" / 44 cm
Second Oven Interior Width (Usable).....	12" / 30.5 cm
Second Oven Interior Height (Usable).....	13 3/16" / 33.5 cm
Second Oven Interior Depth (Usable).....	17 5/16" / 44 cm
Height between Rack Plates.....	1 9/16" / 4 cm
Height between lowest and highest rack.....	7 14/16" / 20 cm

STORAGE

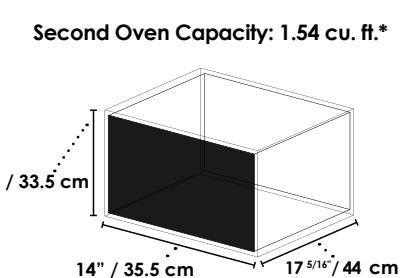
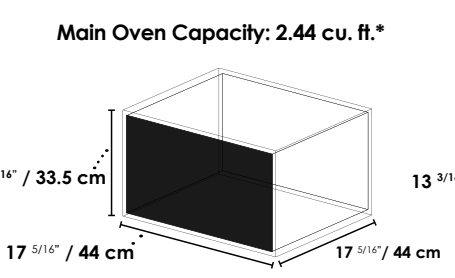
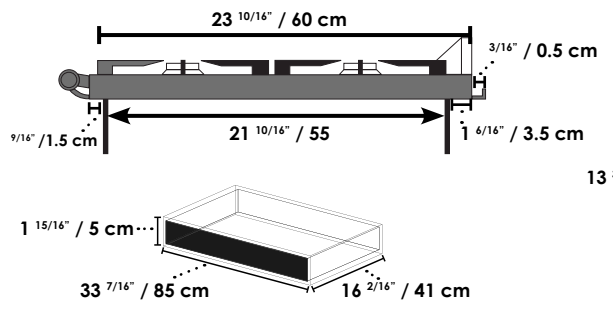
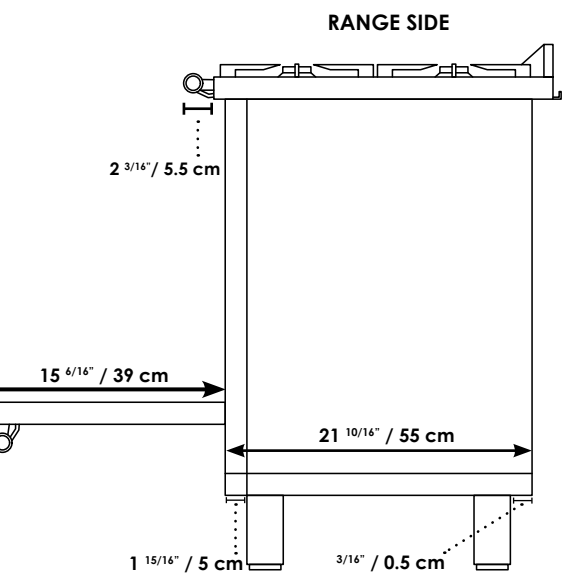
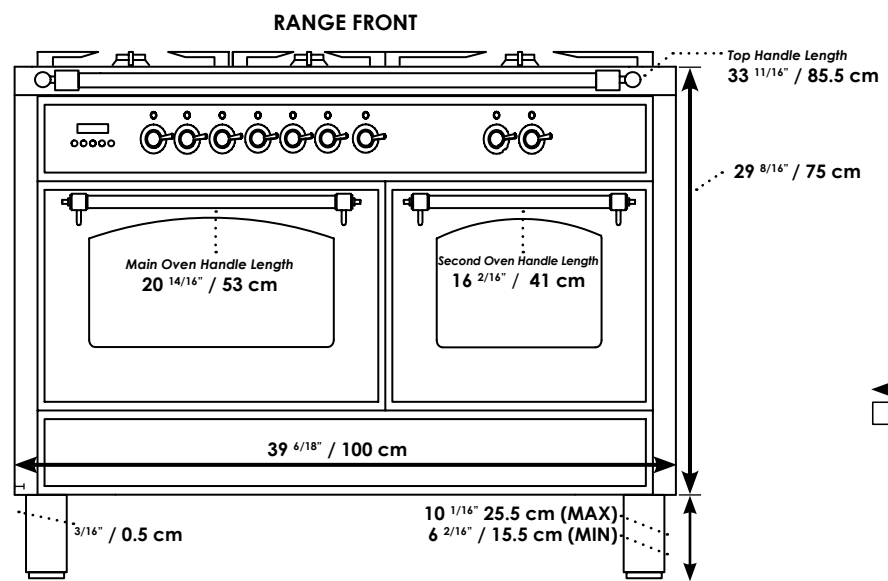
Type.....	Storage
Width.....	33 7/16" / 85 cm
Height.....	1 15/16" / 5 cm
Depth.....	16 2/16" / 41 cm

LEGS

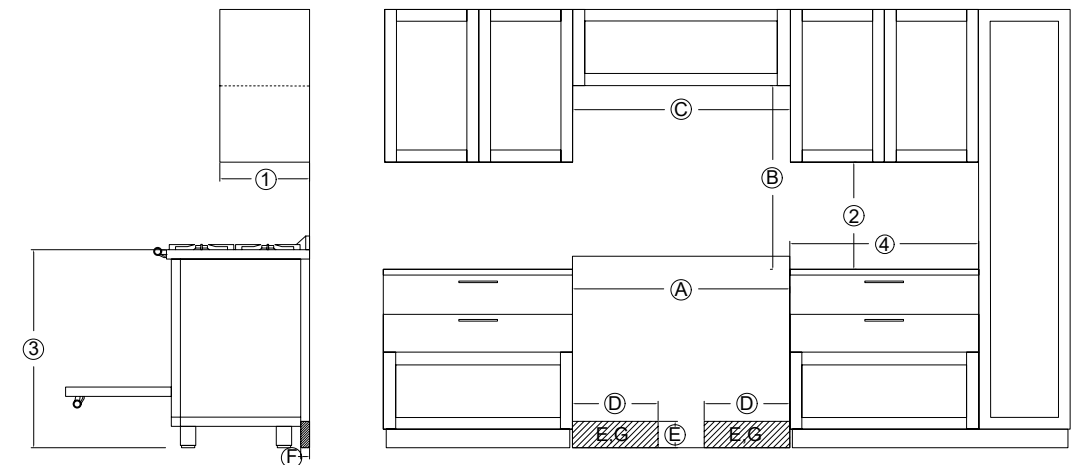
Range Leg Type.....	Cylinder
Range Leg Number.....	4
Adjustable Range Legs.....	Yes
Levelable Range Legs.....	Yes
Range Leg Min. Height.....	6 2/16" / 15.5 cm
Range Leg Max. Height.....	10 1/16" / 25.5 cm
Space between Leg & Range (Side).....	3/16" / 0.5 cm
Space between Leg & Range (Front).....	1 15/16" / 5 cm
Space between Leg & Range (Back).....	3/16" / 0.5 cm

OVERALL DIMENSIONS

Width.....	39 6/16" / 100 cm
Maximum Height.....	39 3/16" / 100.5 cm
Minimum Height.....	35 19/16" / 90.5 cm
Depth (with handle).....	26 3/16" / 66.5 cm
Depth (without handle).....	23 10/16" / 60 cm



*Oven Capacity's cubic feet is manufacturer's measurement prior to installation of broiler, oven racks, and convection fan. Usable space differs from Actual space due to the rack placements and rotisserie.



The Shaded Area represents the installation area for the connections;
E ; Electric Connection
G ; Gas Connection

Position	Dimensions	Description
1	13" (330 mm)	Maximum depth of top cabinet
2	18" (547 mm)	Minimum distance to bottom edge of top cabinet
3	35 1/2"-37" (901-940 mm)	Distance from the floor to cooktop surface
4	12"	Minimum distance from cooktop surface
A	39 6/16" / 100 cm	Width of cabinet opening
B	28"(71.12 cm) to 32" (81.28 cm)	Minimum distance between the top of the cooking area and bottom of an unprotected combustible surface
C	39 6/16" / 100 cm	Width of the hood area
D	Approx. 10 ^{3/16} " (274mm)	Maximum connection with right and left
E	Approx. 4 1/16" (115mm)	Maximum connection height
F	Approx. 2 ^{13/16} " (72mm)	Maximum connection depth