

60" DUAL FUEL RANGE



The Nostalgie immediately states its vocation as a range designed and crafted for the most demanding chef without alienating casual cooks with it's user-friendly functions.

Fuel Type..... **Dual Fuel**
 Gas Type..... **Liquid Propane or Natural Gas**

OVEN COLORS



TRIM*



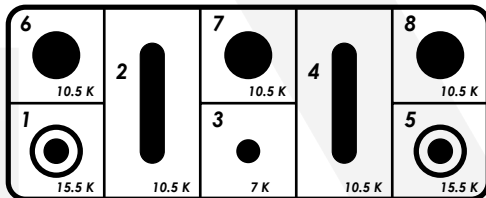
*Trim colors are available for every oven color.



FEATURES

Cooktop

| | |
|---------------------------------|--------------------------------|
| Cooktop surface..... | Deep Recessed |
| Number of Burners/Elements..... | 8 |
| Gas Heat Configuration..... | Sealed Burners |
| Burner/ Element Fuel..... | Gas |
| Grate Type..... | Cast Iron |
| Cooktop Control Type..... | Knobs |
| Cooktop Control Location..... | Front |
| Burner Output No. 1..... | 15,500 BTU/ Triple Ring Burner |
| Burner Output No. 2..... | 10,500 BTU/ Fish Burner |
| Burner Output No. 3..... | 7,000 BTU/ Small Burner |
| Burner Output No. 4..... | 10,500 BTU/ Fish Burner |
| Burner Output No. 5..... | 15,500 BTU/ Triple Ring Burner |
| Burner Output No. 6..... | 10,500 BTU/ Large Burner |
| Burner Output No. 7..... | 10,500 BTU/ Large Burner |
| Burner Output No. 8..... | 10,500 BTU/ Large Burner |



Oven

| | |
|--|-------------------------|
| Oven Fuel..... | Electric |
| Oven Door Type..... | Triple-Layer Glass Door |
| Oven Type..... | Convection |
| Oven Cleaning Type..... | Self-Clean Mode* |
| Oven Control Type..... | Knobs |
| Oven Control Place..... | Front |
| Oven Light(s) in Main Oven..... | 2 |
| Oven Light(s) in Second Oven..... | 1 |
| Oven Light Type..... | LED |
| No. of Rack Holders (Main Oven)..... | 5 |
| No. of Rack Holders (Second Oven)..... | 5 |
| Rack Placement Type..... | Plain |
| Soft Close Door..... | No |
| Display..... | LED |
| Broiler..... | Electric |
| Child Safety Lock..... | No |
| Timer..... | Yes |
| Built-in Thermostat..... | Yes |

*Protective Panel is required (sold seperately)

INCLUDED

| | | | |
|---------------------|-----|-------------------------------|-----|
| Range Hood..... | No | Oven Racks (Main Oven)..... | 2 |
| Power Cord..... | Yes | Oven Racks (Second Oven)..... | 2 |
| Grate..... | Yes | Oven Trays (Main Oven)..... | 1 |
| Griddle..... | Yes | Oven Trays (Second Oven)..... | 1 |
| Legs..... | 4 | Rotisserie (Main Oven)..... | 1 |
| Backsplash..... | 1 | Rotisserie (Second Oven)..... | 0 |
| Conversion Kit..... | Yes | Gas Regulator..... | 1 |
| | | Manual..... | Yes |

POWER

| | |
|------------------------|--------------------|
| Voltage..... | 220 v |
| Amperage..... | 40 amps |
| Hertz..... | 60 (Hz) |
| Power Cord Length..... | 45 11/16" / 116 cm |
| Power Cord Type..... | Hard wire |

RECOMMENDED ACCESSORIES

| | | | |
|--------------------------|------------|-----------------------------|--------|
| Toe Kick..... | APZ150140* | BBQ Grill..... | G41903 |
| Wok Ring..... | A09234 | Bain-Marie..... | G00201 |
| Chopping Board..... | A48401 | Pizza Plate (2nd Oven)..... | A41800 |
| Steam Cooker Basins..... | G00202 | | |

MISCELLANEOUS

| | |
|-----------------------|------------------|
| Warranty Length..... | 2 years |
| Warranty Type..... | Limited |
| Actual Weight..... | 438 lbs / 198 kg |
| Product Material..... | Stainless Steel |

Available in all colors.

DIMENSIONS

RANGE

| | |
|-------------------------------------|---------------------|
| Range Width | 59 1/16" / 150 cm |
| Range Height without legs | 27 15/16" / 71 cm |
| Range Min. Height with legs | 34 1/16" / 86.5 cm |
| Range Max Height with legs | 38" / 96.5 cm |
| Range Depth | 21 10/16" / 55 cm |
| Backsplash Width | 59 1/16" / 150 cm |
| Backsplash Height | 2 5/16" / 6 cm |
| Backsplash Depth | 9/16" / 1.5 cm |
| Backsplash Lip | 3/16" / 0.5 cm |
| Top Oven Handle Length | 52 6/16" / 133 cm |
| Main Oven Handle Length | 28 15/16" / 73.5 cm |
| Second Oven Handle Length | 21 1/16" / 53.5 cm |
| Top Oven Handle Depth over Range | 2 3/16" / 5.5 cm |
| Main Oven Handle Depth over Range | 2 3/16" / 5.5 cm |
| Second Oven Handle Depth over Range | 2 3/16" / 5.5 cm |
| Power from bottom | 9 1/16" / 23 cm |
| Power from right side | 25 3/16" / 64 cm |
| Gas connector from bottom | 4 5/16" / 11 cm |
| Gas connector from right side | 9 7/16" / 24 cm |

COOKTOP

| | |
|------------------------------------|-------------------|
| Cooktop Width | 59 1/16" / 150 cm |
| Cooktop Depth | 23 10/16" / 60 cm |
| Cooktop Height | 1 9/16" / 4 cm |
| Cooktop Front Lip Depth over Range | 9/16" / 1.5 cm |
| Cooktop Back Lip Depth over Range | 1 1/16" / 3.5 cm |

OVEN

| | |
|--|--------------------|
| Main Oven Capacity | 3.55 cu. ft. |
| Second Oven Capacity | 2.44 cu. ft. |
| Main Oven Depth with Door Open 90° | 15 6/16" / 39 cm |
| Second Oven Depth with Door Open 90° | 15 6/16" / 39 cm |
| Main Oven Interior Width (Actual) | 25 3/16" / 64 cm |
| Main Oven Interior Height (Actual) | 13 3/16" / 33.5 cm |
| Main Oven Interior Depth (Actual) | 16 2/16" / 41 cm |
| Main Oven Interior Width (Usable) | 23 7/16" / 59.5 cm |
| Main Oven Interior Height (Usable) | 13 3/16" / 33.5 cm |
| Main Oven Interior Depth (Usable) | 16 2/16" / 41 cm |
| Second Oven Interior Width (Actual) | 17 5/16" / 44 cm |
| Second Oven Interior Height (Actual) | 13 3/16" / 33.5 cm |
| Second Oven Interior Depth (Actual) | 17 5/16" / 44 cm |
| Second Oven Interior Width (Usable) | 15 9/16" / 39.5 cm |
| Second Oven Interior Height (Usable) | 13 3/16" / 33.5 cm |
| Second Oven Interior Depth (Usable) | 17 5/16" / 44 cm |
| Height between Rack Plates | 1 9/16" / 4 cm |
| Height between lowest and highest rack | 7 14/16" / 20 cm |

STORAGE

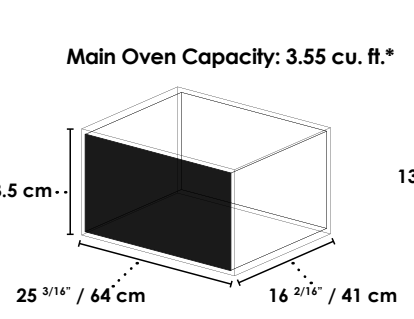
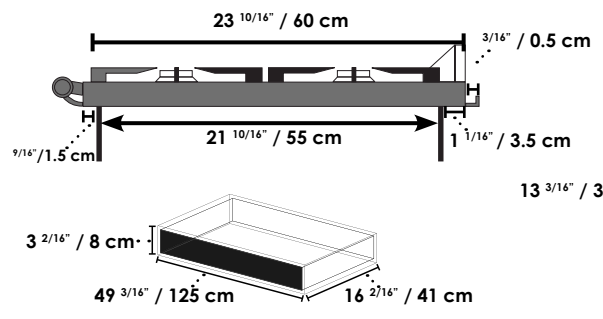
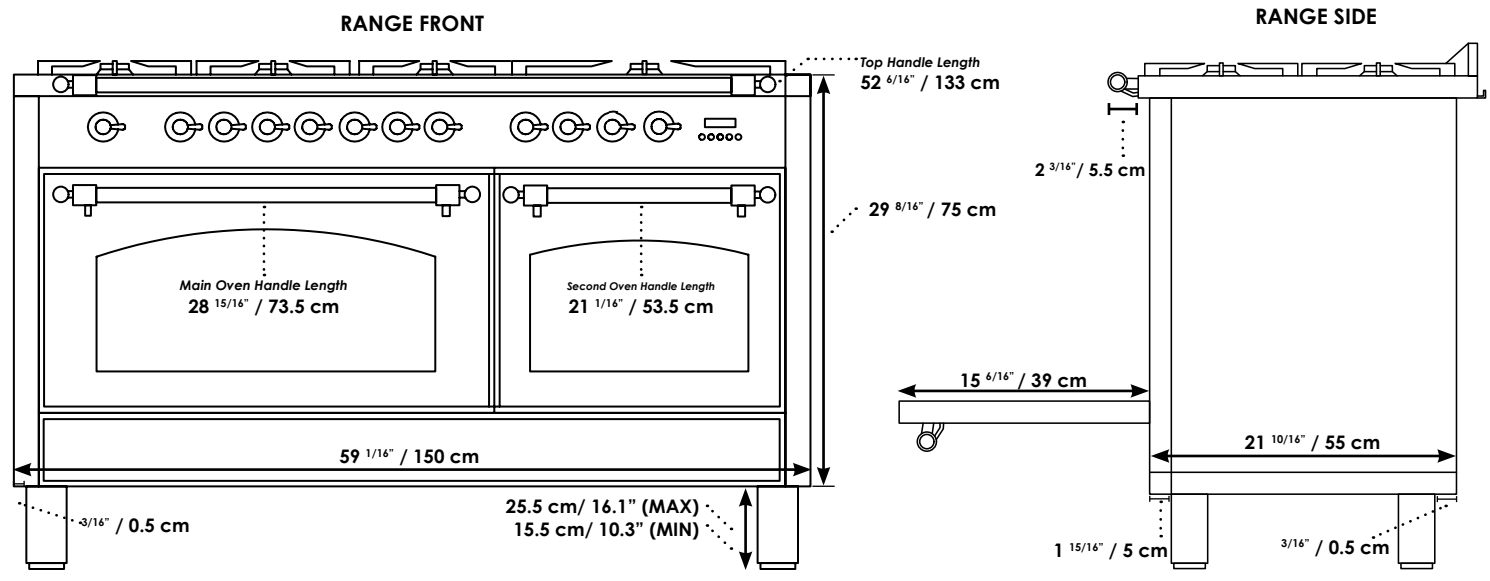
| | |
|--------|-------------------|
| Type | Storage |
| Width | 49 3/16" / 125 cm |
| Height | 3 2/16" / 8 cm |
| Depth | 16 2/16" / 41 cm |

LEGS

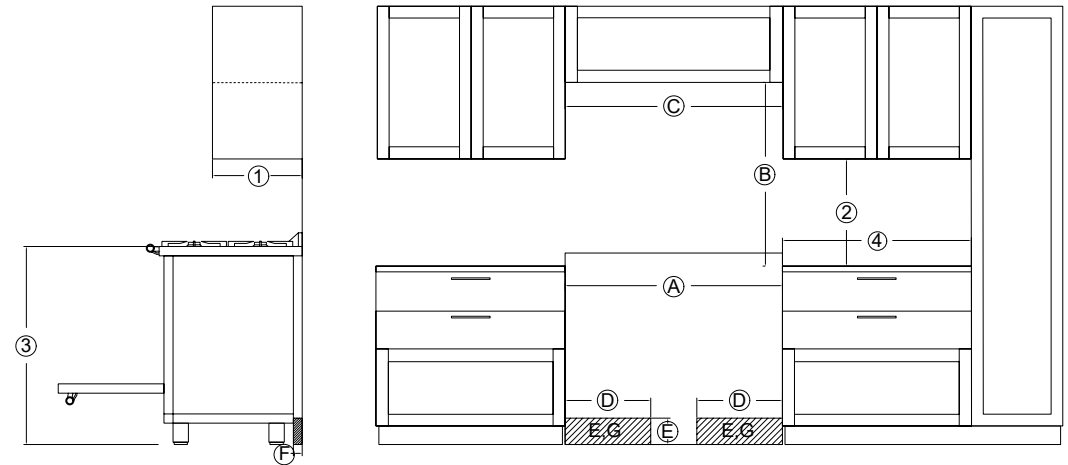
| | |
|-------------------------------------|--------------------|
| Range Leg Type | Cylinder |
| Range Leg Number | 4 |
| Adjustable Range Legs | Yes |
| Levelable Range Legs | Yes |
| Range Leg Min. Height | 6 2/16" / 15.5 cm |
| Range Leg Max. Height | 10 1/16" / 25.5 cm |
| Space Between Leg and Range (Side) | 3/16" / 0.5 cm |
| Space Between Leg and Range (Front) | 1 15/16" / 5 cm |
| Space Between Leg and Range (Back) | 3/16" / 0.5 cm |

OVERALL DIMENSIONS

| | |
|------------------------|---------------------|
| Width | 59 1/16" / 150 cm |
| Maximum Height | 39 9/16" / 100.5 cm |
| Minimum Height | 35 9/16" / 90.5 cm |
| Depth (with handle) | 26 3/16" / 66.5 cm |
| Depth (without handle) | 23 10/16" / 60 cm |



*Oven Capacity's cubic feet is manufacturer's measurement prior to installation of broiler, oven racks, and convection fan. Usable space differs from Actual space due to the rack placements and rotisserie.



| Position | Dimensions | Description |
|----------|----------------------------------|---|
| 1 | 13" (330 mm) | Maximum depth of top cabinet |
| 2 | 18" (547 mm) | Minimum distance to bottom edge of top cabinet |
| 3 | 35 1/2"-37" (901-940 mm) | Distance from the floor to cooktop surface |
| 4 | 12" | Minimum distance from cooktop surface |
| A | 59 1/16" / 150 cm | Width of cabinet opening |
| B | 28" (71.12 cm) to 32" (81.28 cm) | Minimum distance between the top of the cooking area and bottom of an unprotected combustible surface |
| C | 59 1/16" / 150 cm | Width of the hood area |
| D | Approx. 10 3/16" (274mm) | Maximum connection with right and left |
| E | Approx. 4 1/2" (115mm) | Maximum connection height |
| F | Approx. 2 3/16" (72mm) | Maximum connection depth |